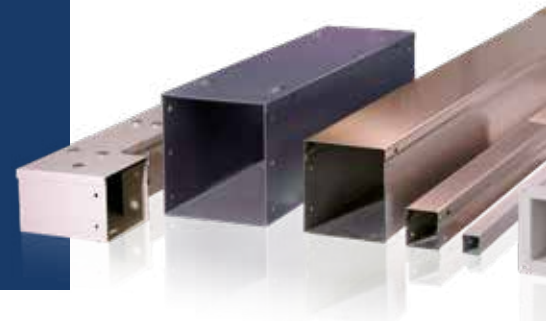
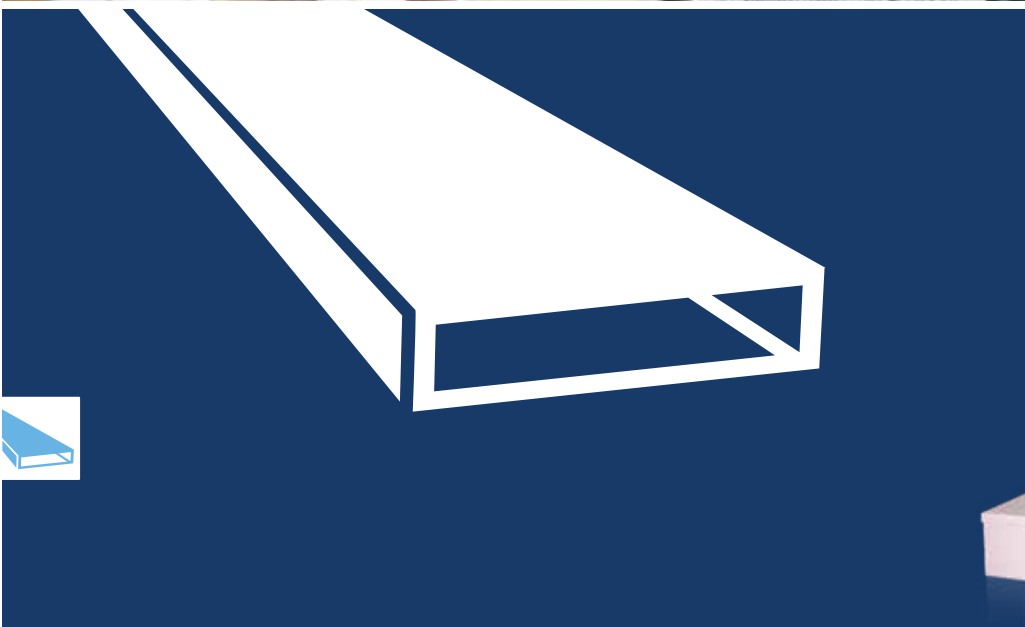


Ideen leben

häwa 

Ideal protection for your electrics:  
häwa cable ducts



Our customers always place high demands on cable ducts systems. Sometimes bigger and sometimes smaller – but very often requirements are quite different from standard.

These individual requirements are always the focus when you call häwa. We are convinced if we combine your experience and particular specifications with our experience over numerous projects the optimum solution can be achieved.



The basis of all our individually customized designs is our time-tested and well-proven standard range of **cable ducts**. Impressive in both design and functionality, our standard range of cable ducts already offers numerous possibilities through a big variety of types and sizes, different type ratings and extensive accessories (UL approval upon request).

Based on the above and working together, along with experience we have gained from an array of successful projects over the many years, we can design and build the perfect solution from your requirements: from a simple cable routing adaption of your machine and/or individual modifications to standard material and designs all the way up to a complete redesigned custom-built cable duct system. At häwa we can make nearly everything possible.

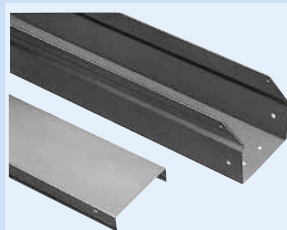
## Type 1201



page

4-19

## Type 1204/1207



page

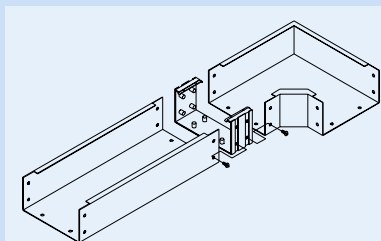
Type 1204/1207

20-39

Type 1204/1207: duct 30 x 30

40-45

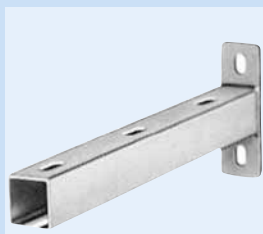
## Type 1206



page

46-59

## Accessories



page

60-63

## Type 1201

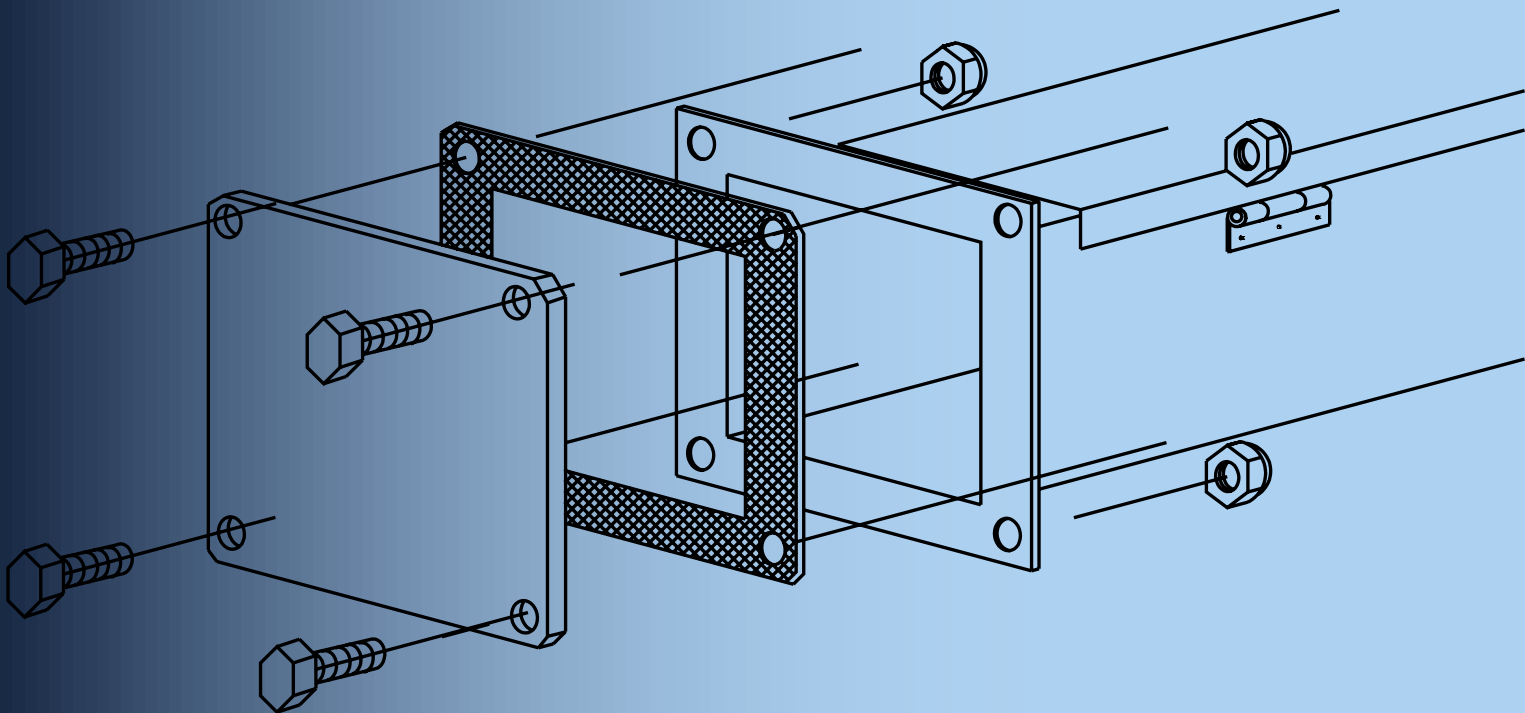
This cable duct is for (nearly) any purpose!

This cable duct system starts, where others end.

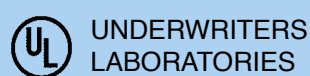
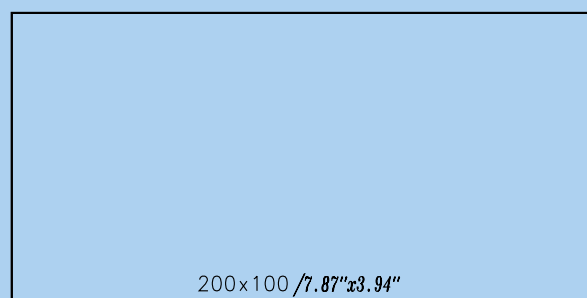
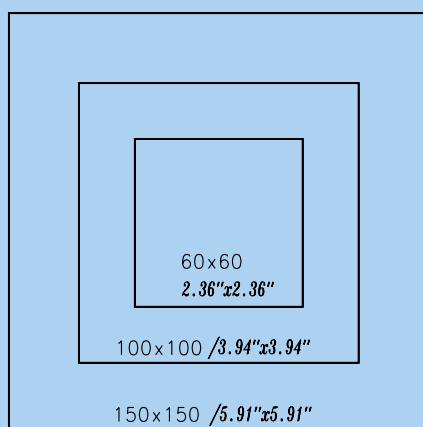
The system is characterised by its high protection class (IP65) and the resulting stability. The fittings have a welded flange at the connectors. The “closed” fittings and bolted flange connection make the structure stable enough to also absorb mechanical forces.

The screw connection also gives a vibration-resistant structure. All joints are sealed with a rubber gasket. The “shaped” duct pieces have a separate grounding bolt.

UL-version on request. Approval E151059.



## Size overview (not to scale)



Typ 12

## Elements overview

Description		Cross sections			
		60 x 60 2.36"x2.36"	100 x 100 3.94"x3.94"	150 x 150 5.91"x5.91"	100 x 200 3.94"x7.87"
Straight section	500 mm/19.69"	■	■	■	■
	1000 mm/39.37"	■	■	■	■
	2000 mm/78.74"	■	■	■	■
	2500 mm/98.43"	■	■	■	■
Elbow 90°		■	■	■	■
T-section		■	■	■	■
Bellow		■	■	■	-
Telescopic section		■	■	■	■
End cap		■	■	■	■
Rubber gasket		■	■	■	■
Attachment system		■	■	■	■

# Type 1201

## Cable duct, straight



### Features

- Protection class IP65
- Very sturdy
- Captive hinged cover

### Product description

- The up to 2.5m long straight ducts have a hinged cover, opening angle 180°, which is closed tightly with quick release buckle latches.
- Potential equalisation via grounding bolts M6.
- The flanges at the end of each duct part are screwed together with a rubber gasket.
- We also manufacture according to customer specifications.

### Technical data

- Grounding according to DIN EN 60439-1
- Sheet thickness duct: 1.5 mm; 16 ga
- Sheet thickness flange: 3 mm; 11 ga
- Approval: UL, Type 12 (Upon request)
- Protection class: IP65
- Material: Sheet steel

- Surface finish: primed (suitable for all conventional types of coating; can be stove-enamelled)

Further technical information → see below

### Scope of delivery

- 1 piece
- 1 flat gasket for the cover is loosely enclosed

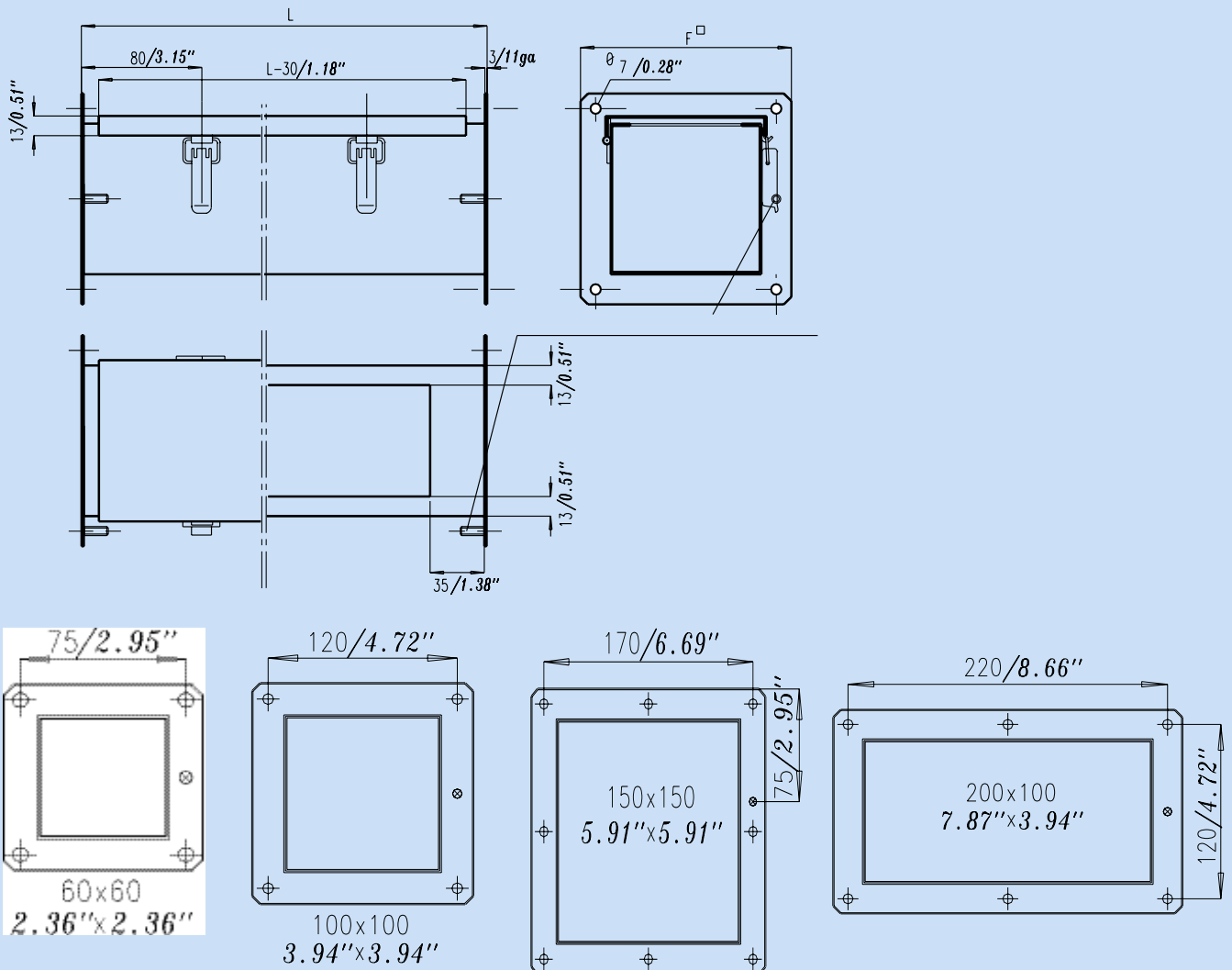
### Note

Seal the flange connectors with a rubber gasket. For variants 1201-0106-25-00, 1201-0110-25-00, 1201-0115-25-00, 1201-0112-25-00: cutting to length by customer, i.e. flange only on one side, no hinge, no closing latches, however with cover and cover gasket. Moreover, only one end cap 1201-0xxx-00-02 is needed.

### Accessories

- Rubber gasket → page 15
- Connecting screws → page 18

## Technical information



# Type 1201

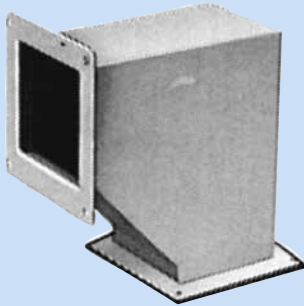
Description	Width		Height		F		L		Weight		Order no.
	mm	inch	mm	inch	mm	inch	mm	inch	kg	lbs	
Cable duct straight	60	2.36	60	2.36	90	3.54	500	19.69	1.9	4.19	<b>1201-0106-05-00</b>
	60	2.36	60	2.36	90	3.54	1,000	39.37	3.6	7.94	<b>1201-0106-10-00</b>
	60	2.36	60	2.36	90	3.54	2,000	78.74	7	15.44	<b>1201-0106-20-00</b>
	60	2.36	60	2.36	90	3.54	2,500	98.43	8.4	18.52	<b>1201-0106-25-00</b>
	100	3.94	100	3.94	140	5.51	500	19.69	3	6.62	<b>1201-0110-05-00</b>
	100	3.94	100	3.94	140	5.51	1,000	39.37	6	13.23	<b>1201-0110-10-00</b>
	100	3.94	100	3.94	140	5.51	2,000	78.74	12	26.46	<b>1201-0110-20-00</b>
	100	3.94	100	3.94	140	5.51	2,500	98.43	14.2	31.31	<b>1201-0110-25-00</b>
	150	5.91	150	5.91	190	7.48	500	19.69	4.7	10.36	<b>1201-0115-05-00</b>
	150	5.91	150	5.91	190	7.48	1,000	39.37	8.7	19.18	<b>1201-0115-10-00</b>
	150	5.91	150	5.91	190	7.48	2,000	78.74	16.7	36.82	<b>1201-0115-20-00</b>
	150	5.91	150	5.91	190	7.48	2,500	98.43	20.5	45.2	<b>1201-0115-25-00</b>
	200	7.87	100	3.94	240	9.45	500	19.69	4.5	9.92	<b>1201-0112-05-00</b>
	200	7.87	100	3.94	240	9.45	1,000	39.37	8.3	18.3	<b>1201-0112-10-00</b>
	200	7.87	100	3.94	240	9.45	2,000	78.74	15.5	34.18	<b>1201-0112-20-00</b>
	200	7.87	100	3.94	240	9.45	2,500	98.43	11.5	25.36	<b>1201-0112-25-00</b>

### Ordering example for intermediate lengths

Duct type 1201	1201-xxxx-xx-xx
Cross section 150 x 150	1201-0115-xx-xx
(further cross sections:	60 x 60 = 0106 / 100 x 100 = 0110 / 200 x 100 = 0112)
Length 2385 mm	1201-0115-23-85

# Type 1201

## Elbow



### Features

- Protection class IP65
- Very sturdy

### Product description

- There are elbows with 90° and with 135°.
- Potential equalisation via grounding bolts M6.
- The flanges at the end of each duct part are screwed together with a rubber gasket.

### Technical data

- Grounding according to DIN EN 60439-1
- Sheet thickness duct: 1.5 mm; 16 ga
- Sheet thickness flange: 3 mm; 11 ga
- Approval: UL, Type 12 (Upon request)
- Protection class: IP65

- Material: Sheet steel
- Surface finish: primed (suitable for all conventional types of coating; can be stove-enamelled)

Further technical information → see below

### Scope of delivery

- 1 piece

### Note

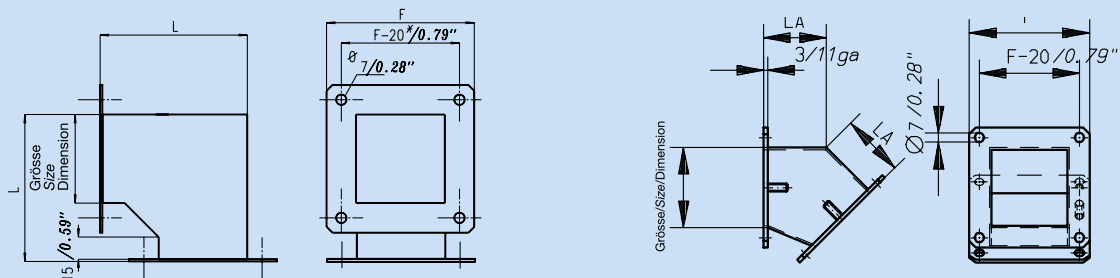
Seal the flange connectors with a rubber gasket

### Accessories

- Rubber gasket → page 15
- Connecting screws → page 18

suitable for width		suitable for height		L		LA		F		Weight		Order no.	
mm	inch	mm	inch	mm	inch	mm	inch	mm	inch	kg	lbs	90°	135°
60	2,36	60	2,36	100	3,94	47	1,85	90	3,54	0,55	1,21	<b>1201-0106-00-03</b>	<b>1201-0106-13-03</b>
100	3,94	100	3,94	200	7,87	100	3,94	140	5,51	1,8	3,97	<b>1201-0110-00-03</b>	<b>1201-0110-13-03</b>
150	5,91	150	5,91	250	9,84	125	4,92	190	7,48	3,1	6,84	<b>1201-0115-00-03</b>	<b>1201-0115-13-03</b>

## Technical information

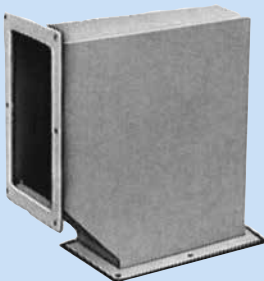


Elbow 90°

\* for size 60 mm: F - 15 mm

Elbow 135°

## Elbow 100 x 200 mm



### Features

- Protection class IP65
- Very sturdy

### Product description

- There are elbows with 90° and with 135°.
- Potential equalisation via grounding bolts M6.
- The flanges at the end of each duct part are screwed together with a rubber gasket.

### Technical data

- Grounding according to DIN EN 60439-1
- Sheet thickness duct: 1.5 mm; 16 ga
- Sheet thickness flange: 3 mm; 11 ga
- Approval: UL, Type 12 (Upon request)
- Protection class: IP65

- Material: Sheet steel
- Surface finish: primed (suitable for all conventional types of coating; can be stove-enamelled)

Further technical information → see below

### Scope of delivery

- 1 piece

### Note

Seal the flange connectors with a rubber gasket

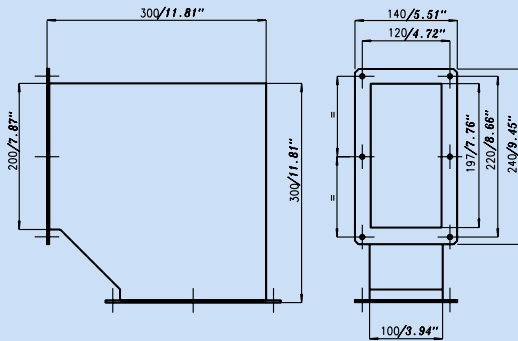
### Accessories

- Rubber gasket → page 15
- Connecting screws → page 18

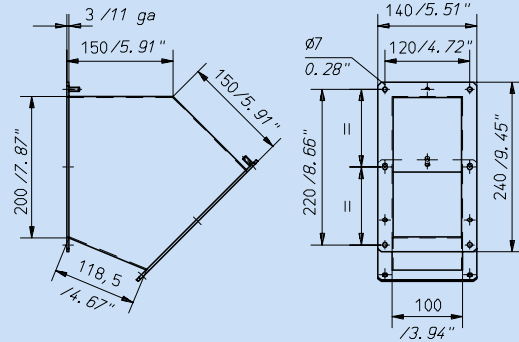
Description	Order no.	
	90°	135°
<b>Elbow 100 x 200 mm</b>	<b>1201-0112-00-08</b>	<b>1201-0112-13-08</b>



## Technical information

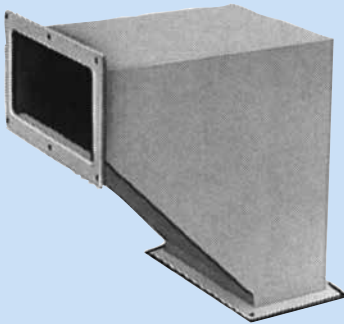


Elbow 100 x 200 mm, 90°



Elbow 100 x 200 mm, 135°

## Elbow 200 x 100 mm



### Features

- Protection class IP65
- Very sturdy

### Product description

- There are elbows with 90° and with 135°.
- Potential equalisation via grounding bolts M6.
- The flanges at the end of each duct part are screwed together with a rubber gasket.

### Technical data

- Grounding according to DIN EN 60439-1
- Sheet thickness duct: 1.5 mm; 16 ga
- Sheet thickness flange: 3 mm; 11 ga
- Approval: UL, Type 12 (Upon request)
- Protection class: IP65
- Material: Sheet steel

- Surface finish: primed (suitable for all conventional types of coating; can be stove-enamelled)

Further technical information → see below

### Scope of delivery

- 1 piece

### Note

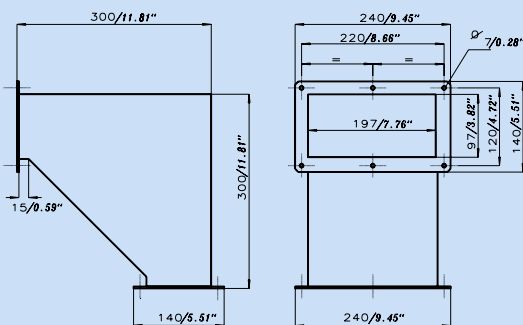
Seal the flange connectors with a rubber gasket

### Accessories

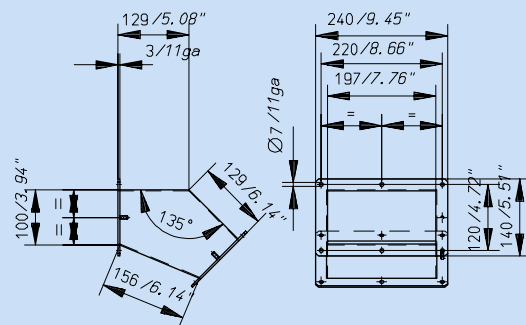
- Rubber gasket → page 15
- Connecting screws → page 18

Description	Order no.	
	90°	135°
Elbow 200 x 100 mm	1201-0112-00-03	1201-0121-13-03

## Technical information



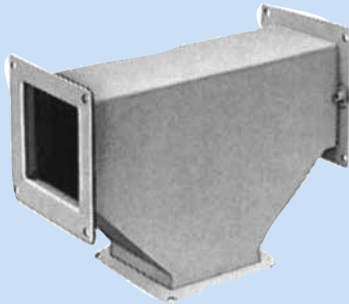
elbow 200 x 100 mm, 90°



elbow 200 x 100 mm, 135°

# Type 1201

## T-section



### Features

- Protection class IP65
- Very sturdy

### Product description

- Potential equalisation via grounding bolts M6.
- The flanges at the end of each duct part are screwed together with a rubber gasket.

### Technical data

- Grounding according to DIN EN 60439-1
- Sheet thickness duct: 1.5 mm; 16 ga
- Sheet thickness flange: 3 mm; 11 ga
- Approval: UL, Type 12 (Upon request)
- Protection class: IP65
- Material: Sheet steel

- Surface finish: primed (suitable for all conventional types of coating; can be stove-enamelled)

Further technical information → see below

### Scope of delivery

- 1 piece

### Note

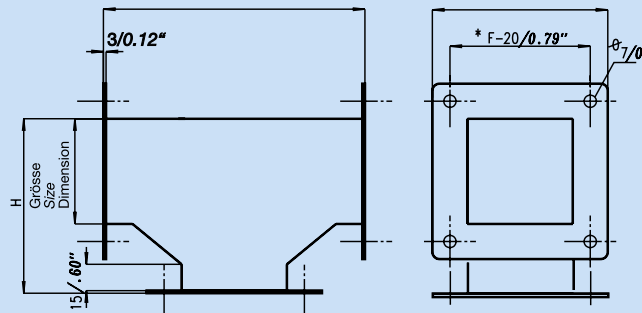
Seal the flange connectors with a rubber gasket

### Accessories

- Rubber gasket → page 15
- Connecting screws → page 18

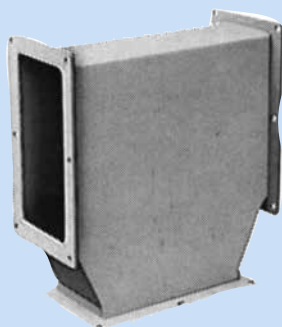
Description	Suitable for width		Suitable for height		L		H		F		Weight		Order no.
	mm	inch	mm	inch	mm	inch	mm	inch	mm	inch	kg	lbs	
T-section	60	2,36	60	2,36	140	5,51	100	3,94	90	3,54	0,8	1,76	1201-0106-00-04
	100	3,94	100	3,94	300	11,81	200	7,87	140	5,51	2,4	5,29	1201-0110-00-04
	150	5,91	150	5,91	350	13,78	250	9,84	190	7,48	3,8	8,38	1201-0115-00-04

## Technical information



\* for size 60 mm: F-15 mm

## T-section 100 x 200 mm



### Features

- Protection class IP65
- Very sturdy

### Product description

- Potential equalisation via grounding bolts M6.
- The flanges at the end of each duct part are screwed together with a rubber gasket.

### Technical data

- Grounding according to DIN EN 60439-1
- Sheet thickness duct: 1.5 mm; 16 ga
- Sheet thickness flange: 3 mm; 11 ga
- Approval: UL, Type 12 (Upon request)
- Protection class: IP65
- Material: Sheet steel

- Surface finish: primed (suitable for all conventional types of coating; can be stove-enamelled)

Further technical information → see below

### Scope of delivery

- 1 piece

### Note

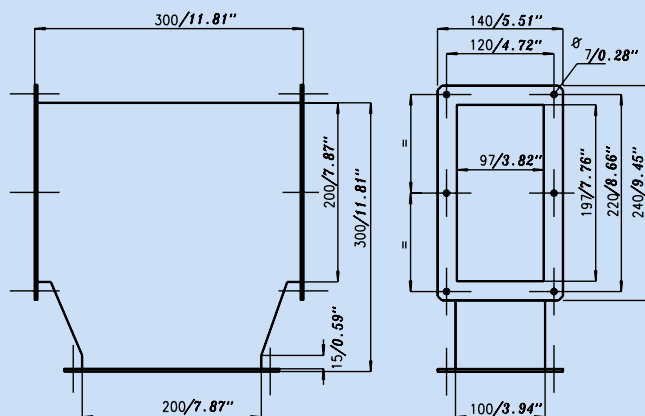
Seal the flange connectors with a rubber gasket

### Accessories

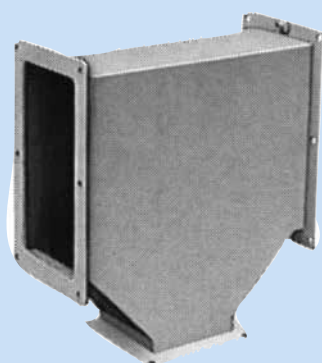
- Rubber gasket → page 15
- Connecting screws → page 18

Description	Order No.
T-section 100 x 200 mm	1201-0112-00-04

## Technical information



## T-section 100 x 200 mm with reduced end 100 x 100 mm



### Features

- Protection class IP65
- Very sturdy

### Product description

- Potential equalisation via grounding bolts M6.
- The flanges at the end of each duct part are screwed together with a rubber gasket.

### Technical data

- Grounding according to DIN EN 60439-1
- Sheet thickness duct: 1.5 mm; 16 ga
- Sheet thickness flange: 3 mm; 11 ga
- Approval: UL, Type 12 (Upon request)
- Protection class: IP65
- Material: Sheet steel

- Surface finish: primed (suitable for all conventional types of coating; can be stove-enamelled)

Further technical information → see below

### Scope of delivery

- 1 piece

### Note

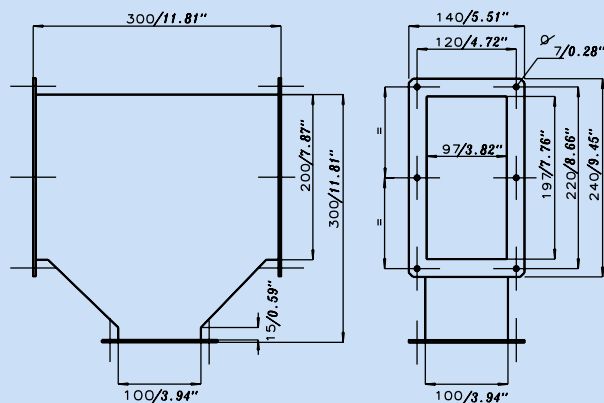
Seal the flange connectors with a rubber gasket

### Accessories

- Rubber gasket → page 15
- Connecting screws → page 18

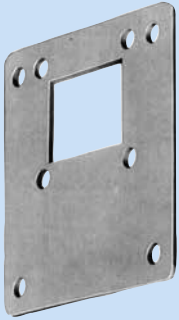
Description	Order No.
T-section 100 x 200 mm with reduced end 100 x 100 mm	1201-0112-00-07

## Technical information



# Type 1201

## Reducing flange



### Features

- Protection class IP65
- Very sturdy

### Product description

For the reduction or increase from one duct size to the next one.

### Technical data

- Grounding via ratchet screw
- Sheet thickness duct: 3 mm; 11 ga
- Material: Sheet steel
- Surface finish: primed (suitable for all conventional types of coating; can be stove-enamelled)

Further technical information → see below

### Scope of delivery

- 1 reducing flange

### Note

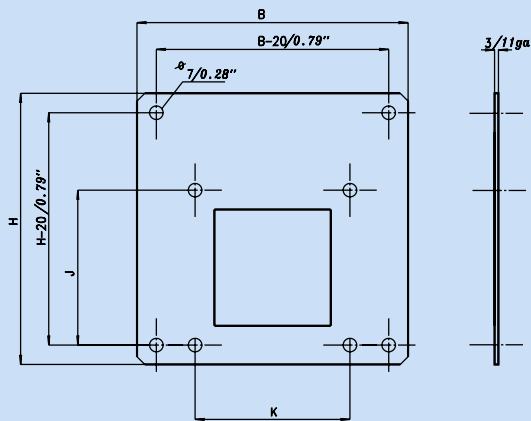
Seal the flange connectors with a rubber gasket

### Accessories

- Rubber gasket → page 15
- Connecting screws → page 18

Reduction				B		H		J		K		Weight		Order no.
from		to		mm	inch	mm	inch	mm	inch	mm	inch	kg	lbs	
mm	inch	mm	inch											
100x100	3,94x3,94	60x60	2,36x2,36	140	5,51	140	5,51	75	2,95	75	2,95	0,4	0,88	<b>1201-0510-01-00</b>
150x150	5,91x5,91	100x100	3,94x3,94	190	7,48	190	7,48	120	4,72	120	4,72	0,6	1,32	<b>1201-0515-01-00</b>
200x100	7,87x3,94	100x100	3,94x3,94	240	9,45	140	5,51	120	4,72	120	4,72	0,5	1,1	<b>1201-0520-01-00</b>

### Technical information



## Bellow

### Features

- Protection class IP65
- Very sturdy

### Product description

To prevent vibration transfer from the machine to the duct system or control cabinet and to compensate for misalignment during assembly. Attachment with sheet steel flanges.

### Technical data

- Grounding via ratchet screw
- Material flange: steel
- Material bellow: highly flexible PVC
- Surface flange: primed (suitable for all conventional types of coating; can be stove-enamelled)

- Surface bellow: black
  - Sheet thickness flange: 3 mm; 11 ga
- Further technical information → see below

### Scope of delivery

- Bellow with attachment flanges

### Note

For bellow 200 x 100 mm (order no. 1201-0110-02-00) the reducing flange 200 x 100 mm (order no. 1201-0520-01-00) has to be ordered in addition.

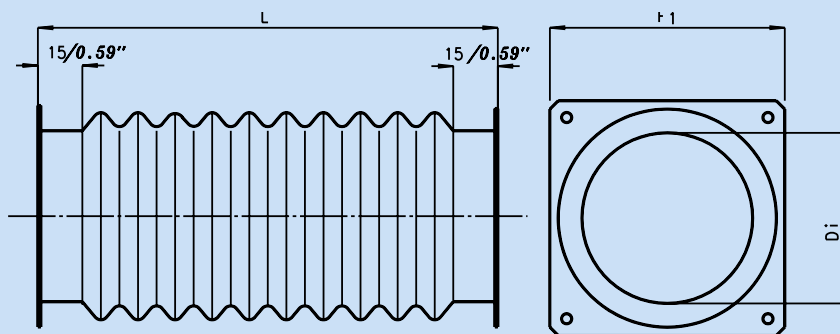
Seal the flange connectors with a rubber gasket.

### Accessories

- Rubber gasket → page 15
- Connecting screws → page 18

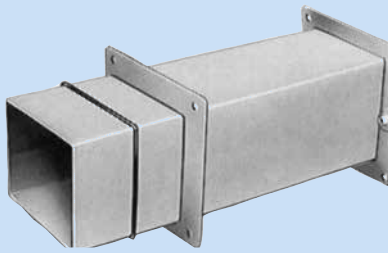
Description	suitable for width		suitable for height		di		F1		L		Weight		Order no.
	mm	inch	mm	inch	mm	inch	mm	inch	mm	inch	kg	lbs	
Bellow	60	2,36	60	2,36	67	2,64	90	3,54	180	7,09	0,4	0,88	1201-1106-01-50
	100	3,94	100	3,94	107	4,21	140	5,51	250	9,84	0,4	0,88	1201-1110-02-00
	150	5,91	150	5,91	157	6,18	190	7,48	250	9,84	0,9	1,98	1201-1115-02-50

## Technical information



# Type 1201

## Telescopic section



### Features

- To compensate for length differences up to 300 mm
- Easy and quick mounting without drilling

### Product description

Potential equalisation via grounding bolts M6.

### Technical data

- Grounding according to DIN EN 60439-1
- Sheet thickness duct: 1.5 mm; 16 ga
- Sheet thickness flange: 3 mm; 11 ga
- Material: Sheet steel
- Surface finish: primed (suitable for all conventional types of coating; can be stove-enamelled)

Further technical information → see below

### Scope of delivery

- 1 piece telescopic section
- 1 piece flexible flange
- 1 piece gasket

### Note

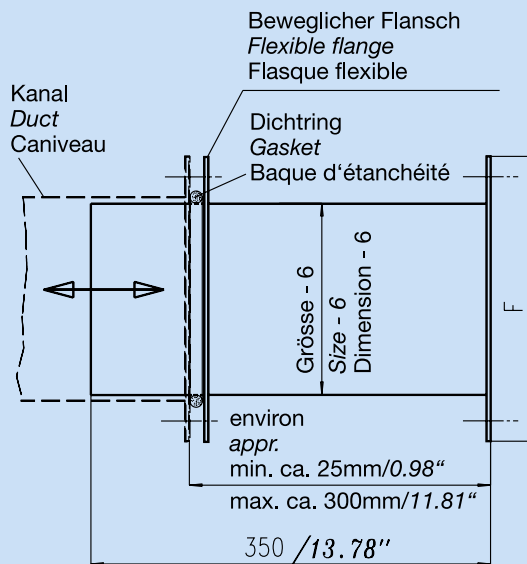
Seal the flange connectors with a rubber gasket

### Accessories

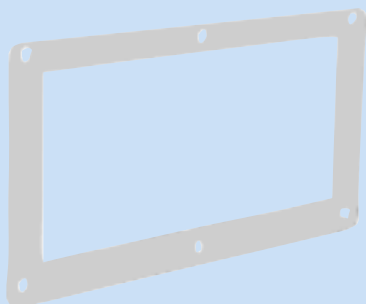
- Rubber gasket → page 15
- Connecting screws → page 18

Description	Suitable for width		Suitable for height		F		Weight		Order no.
	mm	inch	mm	inch	mm	inch	kg	lbs	
Telescopic section	60	2,36	60	2,36	90	3,54	1,1	2,43	<b>1201-1206-03-50</b>
	100	3,94	100	3,94	140	5,51	2	4,41	<b>1201-1210-03-50</b>
	150	5,91	150	5,91	190	7,48	2,9	6,39	<b>1201-1215-03-50</b>
	200	7,87	100	3,94	240	9,45	3	6,62	<b>1201-1221-03-50</b>

## Technical information



## Flange



### Features

- For intermediate lengths, if the duct is cut to size by the customer

### Technical data

- Material: sheet steel 3 mm; 11 ga
  - Surface finish: Unfinished (for welding)
- Further technical information → see below

### Scope of delivery

- 1 piece

### Note

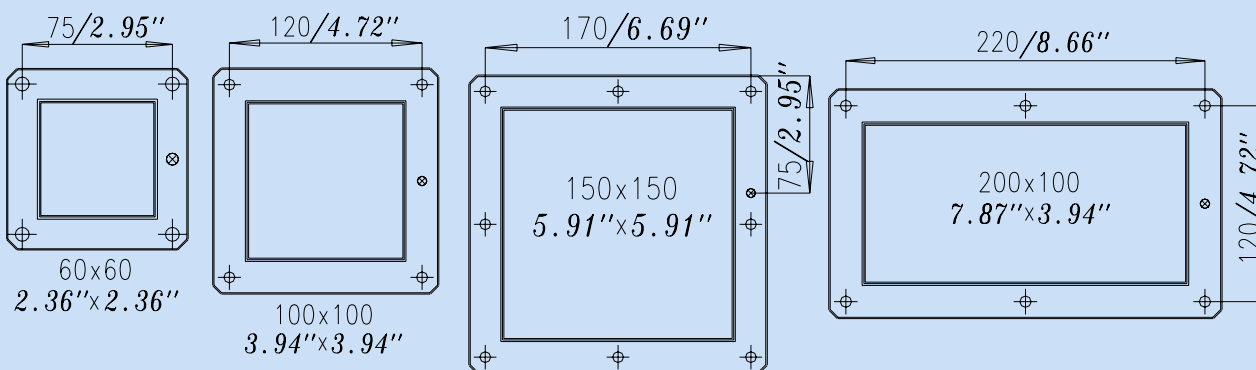
Seal the flange connectors with a rubber gasket

### Accessories

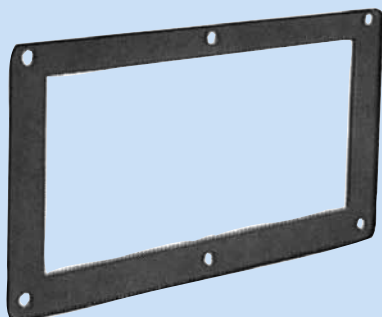
- Rubber gasket → page 15
- Connecting screws → page 18

Description	Suitable for width		Suitable for height		Weight		Order no.
	mm	inch	mm	inch	kg	lbs	
Flange	60	2,36	60	2,36	0,1	0,22	<b>1201-0106-00-05</b>
	100	3,94	100	3,94	0,2	0,44	<b>1201-0110-00-05</b>
	150	5,91	150	5,91	0,3	0,66	<b>1201-0115-00-05</b>
	200	7,87	100	3,94	0,3	0,66	<b>1201-0112-00-05</b>

## Technische Informationen



## Rubber gasket



### Product description

To seal flange joints

### Technical data

- Material thickness: 2 mm, 14 ga
- Material: flexible rubber
- Temperature resistance: -30° to +70 °C
- Surface finish: black

### Scope of delivery

- 1 piece

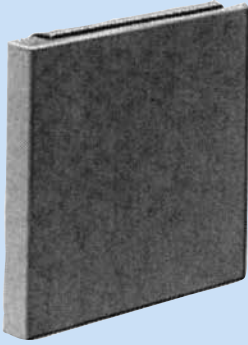
### Note

IP69 can only be reached using this gasket

Description	Suitable for width		Suitable for height		Weight		Order no.
	mm	inch	mm	inch	kg	lbs	
Rubber gasket	60	2,36	60	2,36	0,1	0,22	<b>1201-0106-00-06</b>
	100	3,94	100	3,94	0,02	0,04	<b>1201-0110-00-06</b>
	150	5,91	150	5,91	0,03	0,07	<b>1201-0115-00-06</b>
	200	7,87	140	5,51	0,04	0,09	<b>1201-0112-00-06</b>

# Type 1201

## End cap



### Product description

- For cable ducts without flange to be welded

### Scope of delivery

- 1 piece

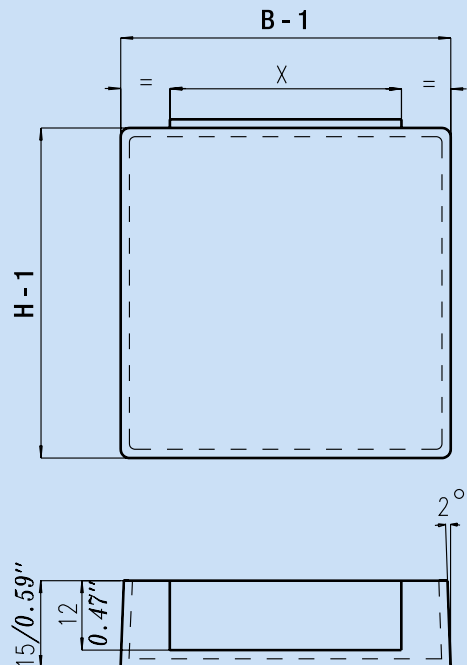
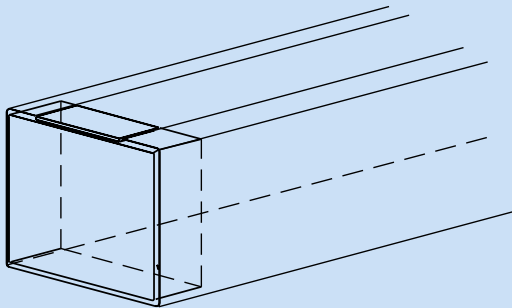
### Technical data

- Grounding according to DIN EN 60439-1
- Sheet thickness duct: 1.5 mm; 16 ga
- Material: Sheet steel
- Surface finish: primed (suitable for all conventional types of coating; can be stove-enamelled)

Further technical information → see below

Description	Suitable for width		Suitable for height		x		Weight		Order no.
	mm	inch	mm	inch	mm	inch	kg	lbs	
End cap	60	2,36	60	2,36	34	1,34	0,07	0,15	<b>1201-0106-00-02</b>
	100	3,94	100	3,94	68	2,68	0,2	0,44	<b>1201-0110-00-02</b>
	200	7,87	100	3,94	168	6,61	0,3	0,66	<b>1201-0112-00-02</b>
	150	5,91	150	5,91	118	4,65	0,4	0,88	<b>1201-0115-00-02</b>

## Technical information





## End plate

### Features

- Protection class IP65
- Very sturdy

### Technical data

- Sheet thickness flange: 3 mm; 11 ga
- Approval: UL, Type 12 (Upon request)
- Protection class: IP65
- Material: Sheet steel
- Surface finish: primed (suitable for all conventional types of coating; can be stove-enamelled)

Further technical information → see below

### Scope of delivery

- 1 piece

### Note

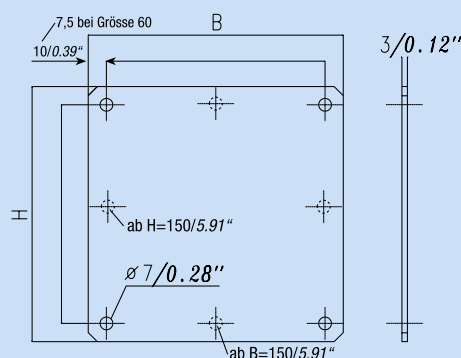
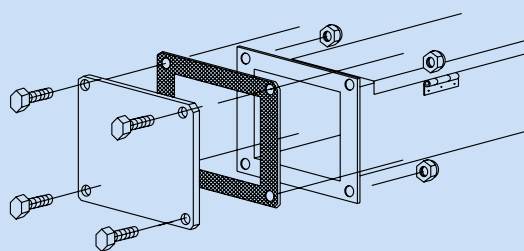
Seal the flange connectors with a rubber gasket

### Accessories

- Rubber gasket → page 15
- Connecting screws → page 18

Description	Suitable for width		Suitable for height		B		H		Weight		Order no.
	mm	inch	mm	inch	mm	inch	mm	inch	kg	lbs	
End plate	60	2,36	60	2,36	90	3,54	90	3,54	0,2	0,44	<b>1201-0106-00-22</b>
	100	3,94	100	3,94	140	5,51	140	5,51	0,5	1,1	<b>1201-0110-00-22</b>
	150	5,91	150	5,91	190	7,48	190	7,48	0,8	1,76	<b>1201-0115-00-22</b>
	200	7,87	100	3,94	240	9,45	140	5,51	0,8	1,76	<b>1201-0112-00-22</b>

### Technical information



## Hinge



### Technical data

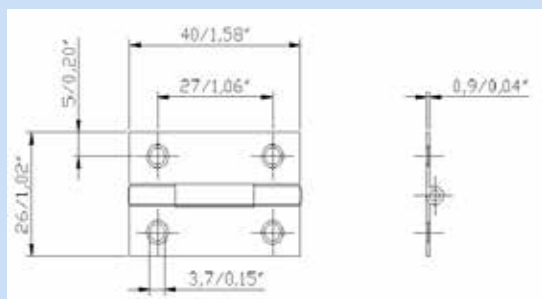
- Material: Sheet steel
  - Surface finish: galvanised
- Further technical information → see below

### Scope of delivery

- 1 hinge

Description	Order no.
Flanged hinge	<b>1201-0601-00-62</b>

### Technical information



# Type 1201

## Quick release buckle latch



### Technical data

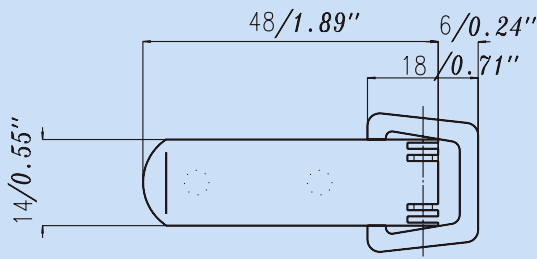
- Material: Sheet steel
  - Surface finish: Unfinished
- Further technical information → see below

### Scope of delivery

- 1 quick release buckle latch

Description	Order no.
Quick release buckle latch	1201-0350-00-00

### Technical information



## Connecting screws for cable ducts

### Technical data

- Material: galvanized
- Surface finish: galvanised

### Scope of delivery

- 50 pieces each ratchet screws M6x14 and self-locking nuts M6

Description	Order No.
Connecting screws for cable ducts	1201-0200-00-06

## Plastic plugs

### Product description

For closing holes with Ø 6 mm

### Scope of delivery

- 1 set = 100 pieces

### Technical Data

- Variant: plastic plug Ø 6
- Diameter: Diameter 6 mm

Description	Order no.
Plastic plugs Ø 6	3080-9115-06-50

## Rubber seal



### Product description

Self-adhesive on one side with oil resistant glue

### Scope of delivery

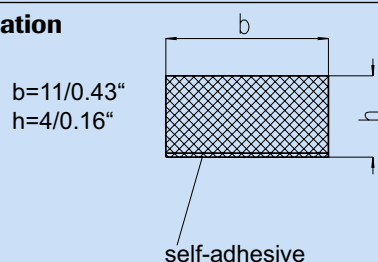
• by the meter

### Technical data

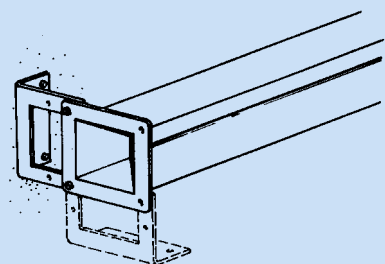
- dimensions: 11 x 4 mm
  - quality: neoprene
  - colour: black
  - Material: cellular rubber
- Further technical information → see below

Description	Order no.
Rubber seal	3080-0102-18-00

### Technical information



## Mounting bracket



### Product description

- For cable ducts type 1201
- For attachment of ducts with flanges to a wall, floor or ceiling.

Further technical information → see below

### Scope of delivery

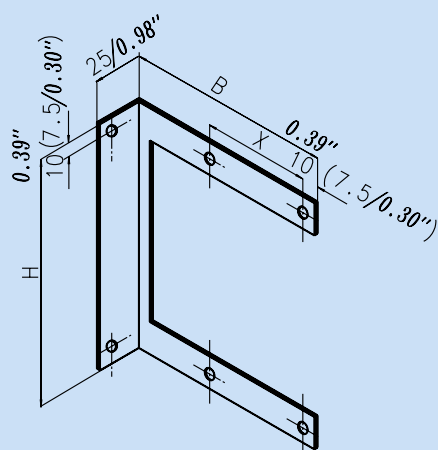
- 1 Mounting bracket

### Technical data

- Material: steel
- Surface finish: primed (suitable for all conventional types of coating; can be stove-enamelled)

Description	Suitable for		B		H		X		Order no.
			mm	inch	mm	inch	mm	inch	
Mounting bracket	60 x 60	2,36 x 2,36	65	2,56	90	3,54	37,5	1,48	1201-1406-01-00
	100 x 100	3,94 x 3,94	115	4,53	140	5,51	60	2,36	1201-1410-01-00
	150 x 150	5,91 x 5,91	165	6,50	190	7,48	85	3,35	1201-1415-01-00

### Technical information



## Type 1204/1207

This cable duct system's strength lies in its continuously open insertion possibilities of electrical installations and in its flexibility.

Using our comprehensive range of accessories it is possible to create within short time a cable duct system according to your needs.

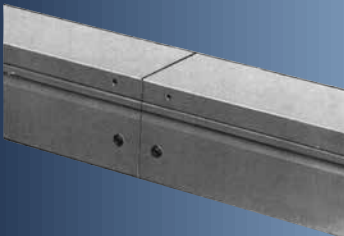
Individual parts are connected using U-brackets or connection brackets.

Type 1204 is made from sheet steel – 1.5 mm, electrolytically galvanised

Type 1207 is made from stainless steel 1.4301 – 1.5 mm, brushed finish on the outside for use in food and beverage industry, chemical, paper and textile industry.

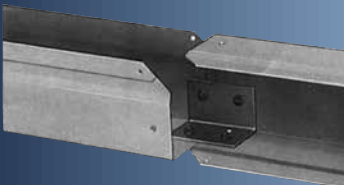
This system is available in five sizes:

30 x 30 mm, 60 x 60 mm, 100 x 100 mm, 150 x 150 mm and 300 x 150 mm.



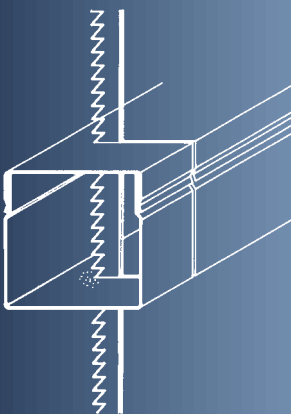
### Assembly

Easy assembly with screw connections.



### Continuous insertion

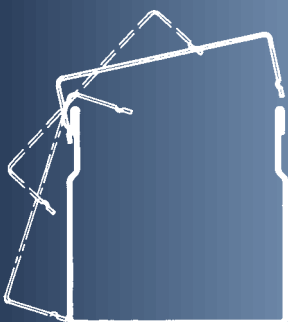
Chamfered duct ends permit continuous cable insertion even if the sections are turned 90° (not possible for duct size 300 x 150 mm / 11.81" x 5.91").



### Intermediate lengths

Easy make-up of special lengths without welding.

After cutting the ducts with a jigsaw or band-saw, only the holes for the connecting parts have to be punched.



### Space requirement

The snap-on covers require minimum space to open the ducts.

Description	Cross sections					
	30 x 30 1.18"x1.18"	60 x 60 2.36"x2.36"	100 x 100 3.94"x3.94"	150 x 150 5.91"x5.91"	300 x 150 11.81"x5.91"	
<b>Straight section</b>	500 mm/19.69"	—	■	■	■	■
	1000 mm/39.37"	■	■	■	■	■
	2000 mm/78.74"	■	■	■	■	■
<b>Elbow 90°</b>	■	■	■	■	■	
<b>Elbow 135°</b>	■	■	■	■	■	
<b>T-section</b>	■	■	■	■	■	
<b>Telescopic section</b>	—	■	■	■	■	
<b>End cap</b>	■	■	■	■	■	
<b>Adaptor flange</b>	■	■	■	■	■	
<b>Flexible hose (metal)</b>	—	■	■	■	—	
<b>Partition panel for straight duct sections</b>	—	—	—	■	■	
<b>Attachment system</b>	■	■	■	■	■	

**Attachment parts** straight, 157.5°, 135°, 90°

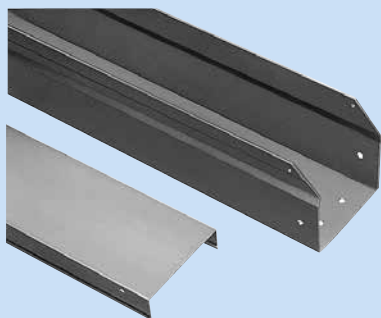
**Accessories** Grounding straps

**Reducer**  
 from 300 to 150 / 11.81" to 5.91"  
 from 150 to 100 / 5.91" to 3.94"  
 from 100 to 60 / 3.94" to 2.36"  
 from 60 to 30 / 2.36" to 1.18"

**Punch**

# Type 1204/1207

## Straight duct section



### Features

- continuously open insertion
- highest flexibility through well designed accessories

### Product description

- The snap-on duct covers require minimum space to open. If necessary, they can be secured with screws after installation.
- The chamfered duct ends permit a continuous insertion.
- The duct ends have pre-drilled holes for the connection screws of u-brackets or connection brackets.

### Technical data

- Sheet thickness: 1.5 mm; 16 ga
- Protection class: Protection against contact as per EN 60529: IP40
- Material: Sheet steel / Stainless steel
- Surface finish: electrolytically-galvanised or brushed

Further technical information → see below

### Scope of delivery

- 1 cable duct with cover

### Note

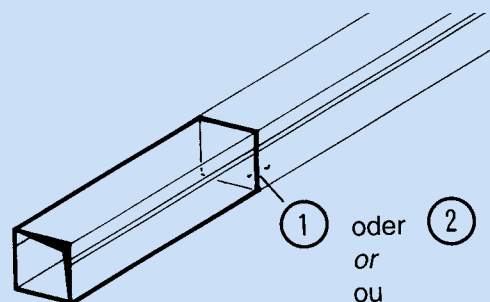
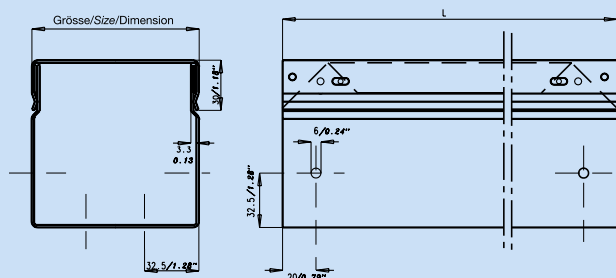
Intermediate lengths can be made by simply cutting the cable ducts using a jigsaw or band-saw and then punching the connection holes with a universal punch. The different parts are connected using U-brackets or connection brackets (from page 34).

### Accessories

- Connecting screws → page 38
- Cover screws → page 39
- Punch → page 39

Width		Height		L		Weight		Order no.	
mm	inch	mm	inch	mm	inch	kg	lbs	1.5 mm sheet steel, electrolytically galvanised	1.5 mm stainless steel 1.4301, outside brushed
60	2,36	60	2,36	500	19,69	1,9	4,19	<b>1204-0006-05-00</b>	<b>1207-0006-05-00</b>
60	2,36	60	2,36	1.000	39,37	3,7	8,16	<b>1204-0006-10-00</b>	<b>1207-0006-10-00</b>
60	2,36	60	2,36	2.000	78,74	7,9	17,42	<b>1204-0006-20-00</b>	<b>1207-0006-20-00</b>
100	3,94	100	3,94	500	19,69	2,8	6,17	<b>1204-0010-05-00</b>	<b>1207-0010-05-00</b>
100	3,94	100	3,94	1.000	39,37	5,6	12,35	<b>1204-0010-10-00</b>	<b>1207-0010-10-00</b>
100	3,94	100	3,94	2.000	78,74	11,2	24,7	<b>1204-0010-20-00</b>	<b>1207-0010-20-00</b>
150	5,91	150	5,91	500	19,69	4	8,82	<b>1204-0015-05-00</b>	<b>1207-0015-05-00</b>
150	5,91	150	5,91	1.000	39,37	8	17,64	<b>1204-0015-10-00</b>	<b>1207-0015-10-00</b>
150	5,91	150	5,91	2.000	78,74	15,9	35,06	<b>1204-0015-20-00</b>	<b>1207-0015-20-00</b>
300	11,81	150	5,91	500	19,69	5,7	12,57	<b>1204-0030-05-00</b>	<b>1207-0030-05-00</b>
300	11,81	150	5,91	1.000	39,37	11,6	25,58	<b>1204-0030-10-00</b>	<b>1207-0030-10-00</b>
300	11,81	150	5,91	2.000	78,74	22	48,51	<b>1204-0030-20-00</b>	<b>1207-0030-20-00</b>

## Technical information



U-brackets are required for assembly

# Type 1204/1207

## elbow 90° and 135°



### Features

- continuously open insertion

### Product description

The snap-on duct covers require minimum space to open. If necessary, they can be secured with screws after installation.

This form part has pre-drilled holes for the connecting screws of the connection brackets.

### Technical data

- Sheet thickness: 1.5 mm; 16 ga
- Protection class: Protection against contact as per EN 60529: IP40
- Material: Sheet steel / Stainless steel

- Surface finish: electrolytically-galvanised or brushed

Further technical information → see below

### Scope of delivery

- 1 elbow with cover

### Note

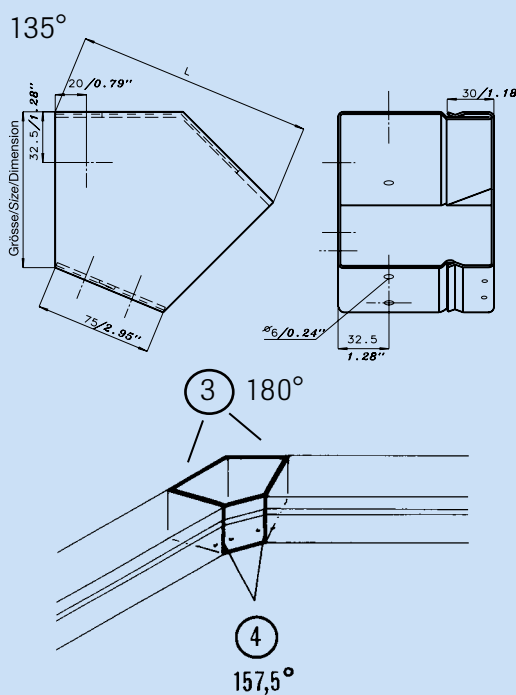
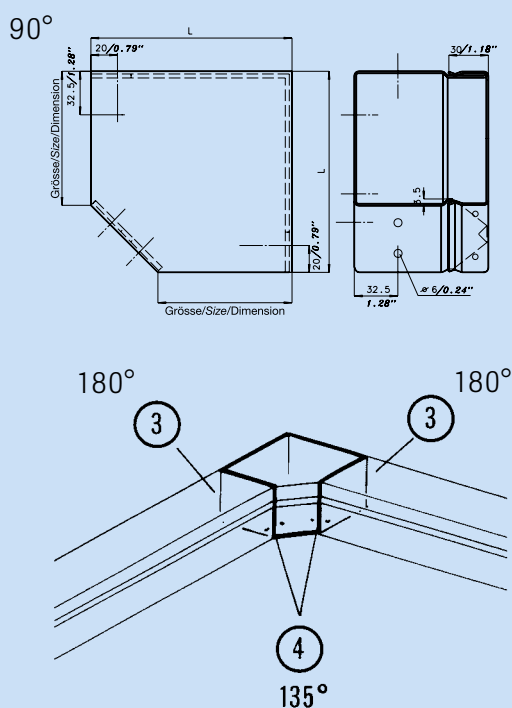
Depending on the angle of the elbow and the connecting piece, fixing brackets in different angles may be required (from page 34).

### Accessories

- Connecting screws → page 38
- Cover screws → page 39

Suitable for width		Suitable for height		Angle	L		Weight		Order no.	
mm	inch	mm	inch		mm	inch	kg	lbs	1.5 mm sheet steel, electrolytically galvanised	1.5 mm stainless steel 1.4301, outside brushed
60	2,36	60	2,36	90°	110	4,33	0,9	1,98	<b>1204-0306-90-00</b>	<b>1207-0306-90-00</b>
60	2,36	60	2,36	135°	121	4,76	0,9	1,98	<b>1204-0306-13-00</b>	<b>1207-0306-13-00</b>
100	3,94	100	3,94	90°	150	5,91	1,6	3,53	<b>1204-0310-90-00</b>	<b>1207-0310-90-00</b>
100	3,94	100	3,94	135°	151	5,94	1,5	3,31	<b>1204-0310-13-00</b>	<b>1207-0310-13-00</b>
150	5,91	150	5,91	90°	200	7,87	2,5	5,51	<b>1204-0315-90-00</b>	<b>1207-0315-90-00</b>
150	5,91	150	5,91	135°	190	7,48	1,8	3,97	<b>1204-0315-13-00</b>	<b>1207-0315-13-00</b>
300	11,81	150	5,91	90°	400	15,75	3,5	7,72	<b>1204-0330-90-00</b>	<b>1207-0330-90-00</b>
300	11,81	150	5,91	135°	305	12,01	2,5	5,51	<b>1204-0330-13-00</b>	<b>1207-0330-13-00</b>

### Technical information



135° an 180° connection brackets are required for assembly

157,5° and 180° connection brackets are required for assembly

# Type 1204/1207

## T-section



### Features

- continuously open insertion

### Product description

The snap-on duct covers require minimum space to open. If necessary, they can be secured with screws after installation.

This form part has pre-drilled holes for the connecting screws of the connection brackets.

### Technical data

- Sheet thickness: 1.5 mm; 16 ga
- Protection class: Protection against contact as per EN 60529: IP40
- Material: Sheet steel / Stainless steel

- Surface finish: electrolytically-galvanised or brushed

Further technical information → see below

### Scope of delivery

- 1 T-section with cover

### Note

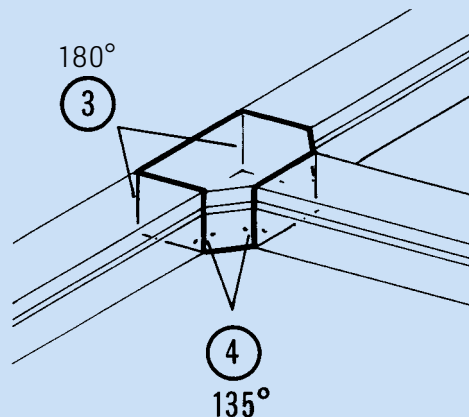
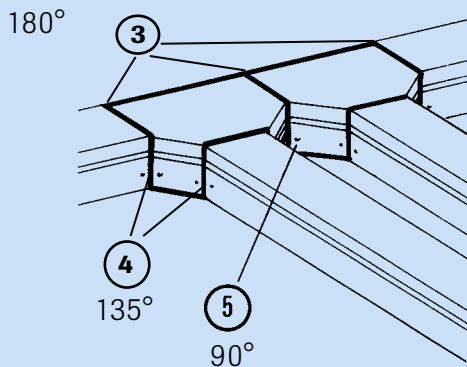
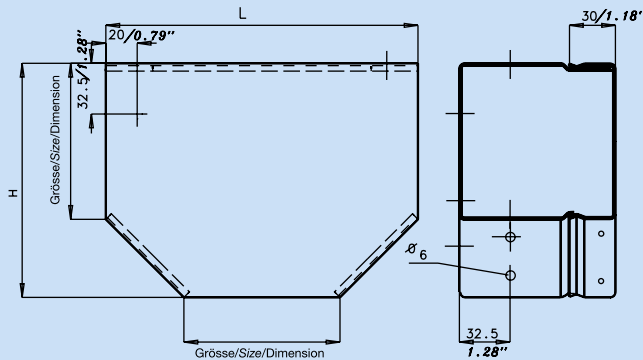
Depending on the angle of the elbow and the connecting piece, fixing brackets in different angles may be required (from page 34).

### Accessories

- Connecting screws → page 38
- Cover screws → page 39

Suitable for width		Suitable for height		H		L		Weight		Order no.	
mm	inch	mm	inch	mm	inch	mm	inch	kg	lbs	1.5 mm sheet steel, electrolytically galvanised	1.5 mm stainless steel 1.4301, outside brushed
60	2,36	60	2,36	110	4,33	160	6,3	0,7	1,54	<b>1204-0406-00-00</b>	<b>1207-0406-00-00</b>
100	3,94	100	3,94	150	5,91	200	7,87	1	2,2	<b>1204-0410-00-00</b>	<b>1207-0410-00-00</b>
150	5,91	150	5,91	200	7,87	250	9,84	1,8	3,97	<b>1204-0415-00-00</b>	<b>1207-0415-00-00</b>
300	11,81	150	5,91	400	15,75	500	19,69	6	13,23	<b>1204-0430-00-00</b>	<b>1207-0430-00-00</b>

## Technical information

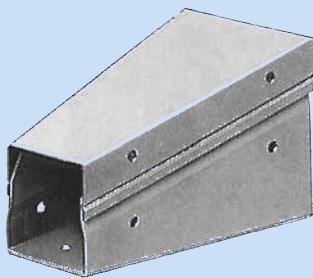


90°, 135° and 180° connection brackets are required for assembly

135° and 180° connection brackets are required for assembly



## Reducer



### Features

- continuously open insertion

### Product description

To reduce or increase from one cable duct size to the next one.

The snap-on duct covers require minimum space to open. If necessary, they can be secured with screws after installation.

This form part has pre-drilled holes for the connecting screws of the connection brackets.

### Technical data

- Sheet thickness: 1.5 mm; 16 ga
- Protection class: Protection against contact as per EN 60529: IP40

- Material: Sheet steel / Stainless steel

- Surface finish: electrolytically-galvanised or brushed

Further technical information → see below

### Scope of delivery

- 1 reducer with connections

### Note

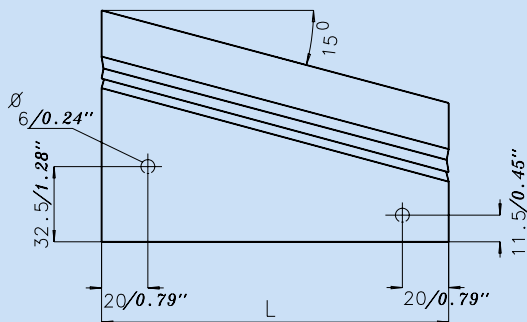
U-brackets or connection brackets are required for assembly.

### Accessories

- Connecting screws → page 38
- Cover screws → page 39

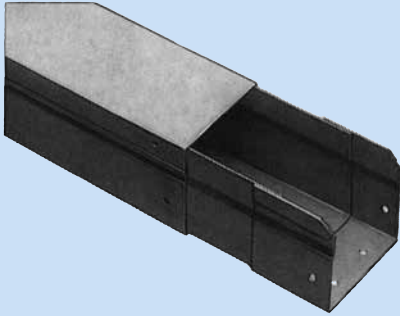
from size		to size		L		Weight		Order no.	
mm	inch	mm	inch	mm	inch	kg	lbs	1.5 mm sheet steel, electrolytically galvanised	1.5 mm stainless steel 1.4301, outside brushed
60 x 60	2,36 x 2,36	30 x 30	1,18 x 1,18	115	4,53	0,3	0,66	<b>1204-0706-03-00</b>	<b>1207-0706-03-00</b>
100 x 100	3,94 x 3,94	60 x 60	2,36 x 2,36	150	5,91	1	2,2	<b>1204-0710-06-00</b>	<b>1207-0710-06-00</b>
150 x 150	5,91 x 5,91	100 x 100	3,94 x 3,94	185	7,28	1,7	3,75	<b>1204-0715-10-01</b>	<b>1207-0715-10-01</b>
300 x 300	11,81 x 11,81	150 x 150	5,91 x 5,91	280	11,02	3,8	8,38	<b>1204-0730-15-00</b>	<b>1207-0730-15-00</b>

## Technical information



# Type 1204/1207

## Telescopic section



### Features

- continuously open insertion

### Product description

To obtain length adjustment.

The snap-on duct covers require minimum space to open. If necessary, they can be secured with screws after installation.

This form part has pre-drilled holes for the connecting screws of the U-brackets and connection brackets.

### Technical data

- Sheet thickness: 1.5 mm; 16 ga
- Protection class: Protection against contact as per EN 60529: IP40

- Material: Sheet steel / Stainless steel

- Surface finish: electrolytically-galvanised or brushed

Further technical information → see below

### Scope of delivery

- 1 telescopic section with cover

### Note

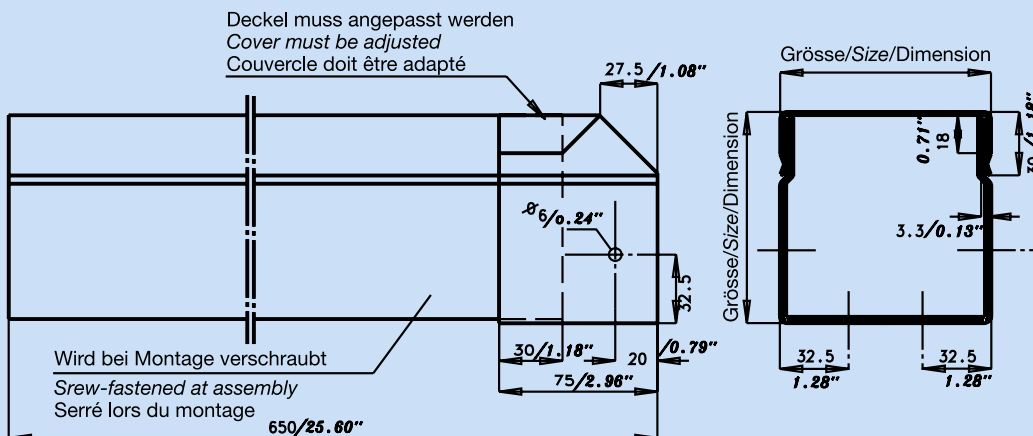
At the final assembly, the telescopic section has to be drilled and screwed together on one side.

Accessories

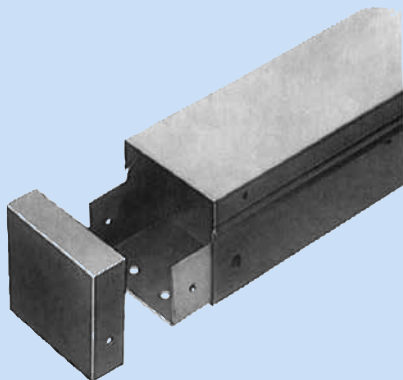
- Connecting screws → page 39
- Cover screws → page 39

Dimension (WxH)		Weight		Order no.	
mm	inch	kg	lbs	1.5 mm sheet steel, electrolytically galvanised	1.5 mm stainless steel 1.4301, outside brushed
60 x 60	2,36 x 2,36	2,2	4,85	<b>1204-1006-03-00</b>	<b>1207-1006-03-00</b>
100 x 100	3,94 x 3,94	3,4	7,5	<b>1204-1010-03-00</b>	<b>1207-1010-03-00</b>
150 x 150	5,91 x 5,91	5	11,02	<b>1204-1015-03-00</b>	<b>1207-1015-03-00</b>
300 x 150	11,81 x 5,91	7,4	16,32	<b>1204-1030-03-00</b>	<b>1207-1030-03-00</b>

## Technical information



## End cap



### Product description

For closure of duct ends.

This form part has pre-drilled holes for the connecting screws of the U-brackets and connection brackets.

### Technical data

- Sheet thickness: 1.5 mm; 16 ga
- Protection class: Protection against contact as per EN 60529: IP40
- Material: Sheet steel / Stainless steel
- Surface finish: electrolytically-galvanised or brushed

Further technical information → see below

### Scope of delivery

- 1 end cap

### Note

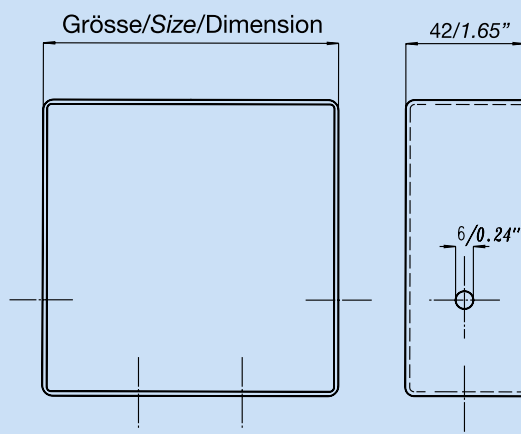
U-connectors are required for the assembly.

### Accessories

- Connecting screws → page 38

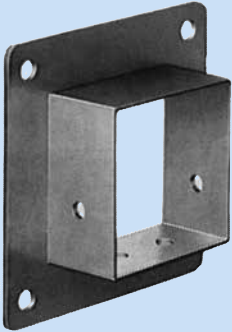
Dimension (BxH)		Weight		Order no.	
mm	inch	kg	lbs	1.5 mm sheet steel, electrolytically galvanised	1.5 mm stainless steel 1.4301, outside brushed
30x30	1,18x1,18	0,2	0,44	<b>1204-0203-00-00</b>	<b>1207-0203-00-00</b>
60x60	2,36x2,36	0,1	0,22	<b>1204-0206-00-00</b>	<b>1207-0206-00-00</b>
100x100	3,94x3,94	0,3	0,66	<b>1204-0210-00-00</b>	<b>1207-0210-00-00</b>
150x150	5,91x5,91	0,5	1,1	<b>1204-0215-00-00</b>	<b>1207-0215-00-00</b>
300x150	11,81x5,91	0,9	1,98	<b>1204-0230-00-00</b>	<b>1207-0230-00-00</b>

## Technical information



# Type 1204/1207

## Adaptor flange



### Features

- robust design

### Product description

- For mounting ducts to housings, cabinets, machinery etc.
- This form part has pre-drilled holes for the connecting screws of the U-brackets or connection brackets.

### Technical data

- Sheet thickness: 1.5 mm; 16 ga
- Protection class: Protection against contact as per EN 60529: IP40

- Material: Sheet steel / Stainless steel

- Surface finish: electrolytically-galvanised or brushed

Further technical information → see below

### Scope of delivery

- 1 adaptor flange

### Note

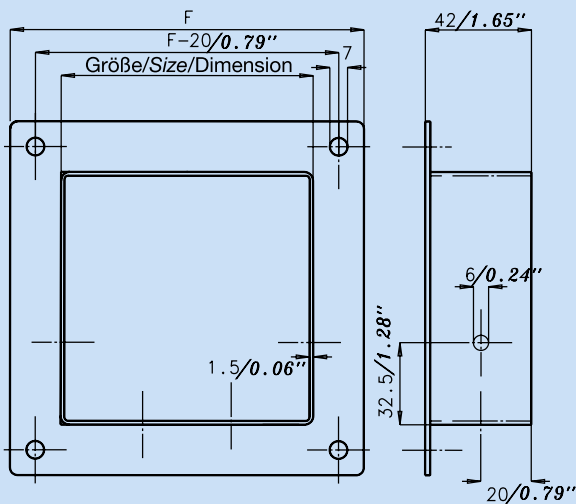
U-brackets or connection brackets are required for assembly.

### Accessories

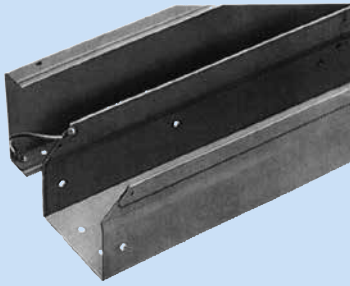
- Connecting screws → page 38

Suitable for width		Suitable for height		F		Weight		Order no.	
mm	inch	mm	inch	mm	inch	kg	lbs	1.5 mm sheet steel, electrolytically galvanised	1.5 mm stainless steel 1.4301, outside brushed
60	2,36	60	2,36	100	3,94	0,2	0,44	<b>1204-0606-00-00</b>	<b>1207-0606-00-00</b>
100	3,94	100	3,94	140	5,51	0,3	0,66	<b>1204-0610-00-00</b>	<b>1207-0610-00-00</b>
150	5,91	150	5,91	190	7,48	0,4	0,88	<b>1204-0615-00-00</b>	<b>1207-0615-00-00</b>
300	11,81	150	5,91	340	13,39	0,7	1,54	<b>1204-0630-00-00</b>	<b>1207-0630-00-00</b>

## Technical information



## Grounding straps



### Product description

- The ground strap also retains the cover if it has to be secured. The attachment is made with a 4 x 8 rivet.

### Scope of delivery

- Grounding straps: 1 set = 25 pieces

### Accessories

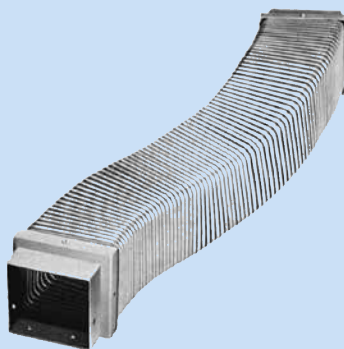
- blind rivet → see below

Description	Length		Order no.
	mm	inch	
Grounding straps	115	4,53	<b>3080-7036-10-10</b>

## Accessories

Description	Order no.	
	sheet steel	stainless steel
Blind rivets 4 x 8 (1 set = 100 pieces)	<b>1204-9337-04-08</b>	<b>1207-9337-04-08</b>

## Flexible metal hose



### Product description

- To compensate misalignment and to form any angle (up to 90°).
- This form part has pre-drilled holes for the connecting screws of the U-brackets and connection brackets.

### Technical data

- Sheet thickness connector: 1,5 mm; 16 ga
- Material: Sheet steel / Stainless steel
- Surface finish: electrolytically-galvanised or brushed

Further technical information → see below

### Scope of delivery

- 1 flexible metal hose complete with connections

### Note

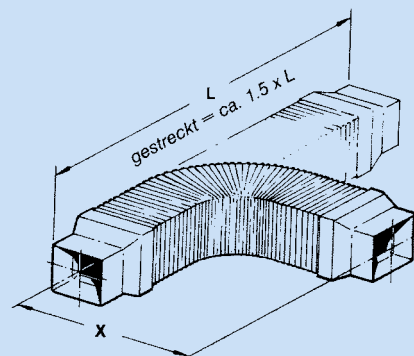
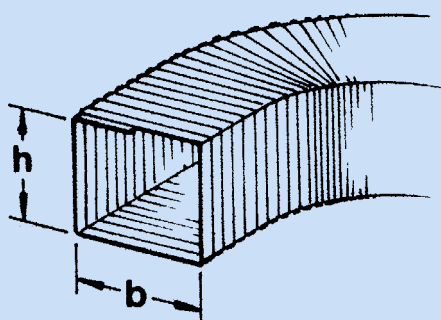
Stainless steel version on request.  
U-brackets or connection brackets are required for assembly.

### Accessories

- Connecting screws → page 39

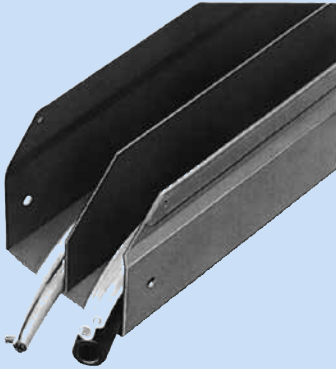
Suitable for width		Suitable for height		L		x		h		b		Weight		Order no.
mm	inch	mm	inch	mm	inch	mm	inch	mm	inch	mm	inch	kg	lbs	
60	2,36	60	2,36	700	27,56	300	11,81	60	2,36	85	3,35	1,8	3,97	<b>1204-1106-85-00</b>
100	3,94	100	3,94	700	27,56	450	17,72	175	6,89	115	4,53	3,5	7,72	<b>1204-1110-15-00</b>
150	5,91	150	5,91	710	27,95	550	21,65	175	6,89	175	6,89	5,7	12,57	<b>1204-1115-17-00</b>

## Technical information



# Type 1204/1207

## Partition panel for straight duct sections



### Product description

With partition panels the ducts can be divided into chambers. Control lines may be separated from supply lines; or electric lines can be routed together with hydraulic or pneumatic cables in one duct.

### Technical data

- Sheet thickness: 1.5 mm; 16 ga
- Material: Sheet steel / Stainless steel
- Surface finish: electrolytically-galvanised or brushed

Further technical information → see below

### Scope of delivery

- 1 partition panel

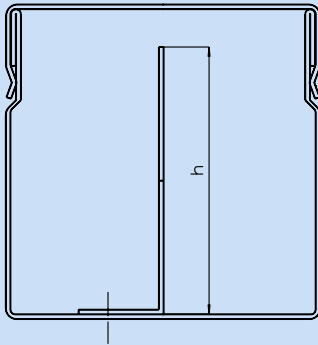
### Note

The partition panels are screwed to the connecting parts at the ends.

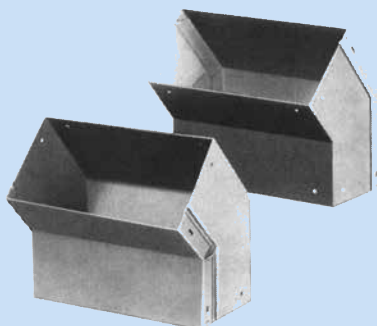
Ideally U-brackets without press nuts should be used.

Suitable for width		Suitable for height		Length		h		Order no.	
mm	inch	mm	inch	mm	inch	mm	inch	1.5 mm sheet steel, electrolytically galvanised	1.5 mm stainless steel 1.4301, outside brushed
150x150	5,91x5,91	300x150	11,81x5,91	500	19,69	140	5,51	<b>1204-0715-05-00</b>	<b>1207-0715-05-00</b>
150x150	5,91x5,91	300x150	11,81x5,91	1.000	39,37	140	5,51	<b>1204-0715-10-00</b>	<b>1207-0715-10-00</b>
150x150	5,91x5,91	300x150	11,81x5,91	2.000	78,74	140	5,51	<b>1204-0715-20-00</b>	<b>1207-0715-20-00</b>

### Technical information



## Outside and inside elbow



### Features

- continuously open insertion

### Product description

The snap-on duct covers require minimum space to open. If necessary, they can be secured with screws after installation.

This form part has pre-drilled holes for the connecting screws of the connection brackets.

### Technical data

- Sheet thickness: 1.5 mm; 16 ga
- Protection class: Protection against contact as per EN 60529: IP40
- Material: Sheet steel / Stainless steel

- Surface finish: electrolytically-galvanised or brushed

Further technical information → see below

### Scope of delivery

- 1 elbow with cover

### Note

U-brackets or connection brackets are required for assembly.

### Accessories

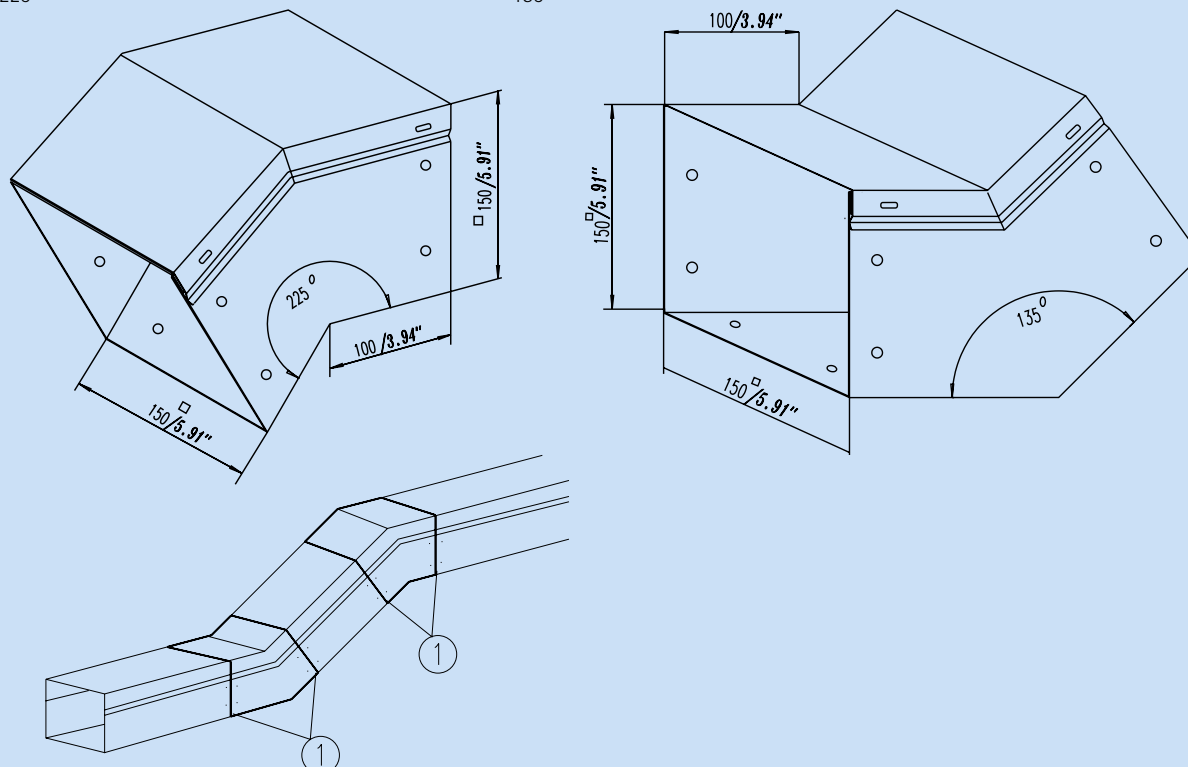
- Connecting screws → page 38
- Cover screws → page 39

Suitable for width		Suitable for height		Angle	Order no.	
mm	inch	mm	inch		1.5 mm sheet steel, electrolytically galvanised	1.5 mm stainless steel 1.4301, outside brushed
150	5,91	150	5,91	225° outside elbow	<b>1204-1315-02-25</b>	<b>1207-1315-02-25</b>
150	5,91	150	5,91	135° inside elbow	<b>1204-1315-01-35</b>	<b>1207-1315-01-35</b>
300	11,81	150	5,91	225° outside elbow	<b>1204-1330-02-25</b>	<b>1207-1330-02-25</b>
300	11,81	150	5,91	135° inside elbow	<b>1204-1330-01-35</b>	<b>1207-1330-01-35</b>

### Technical information

225°

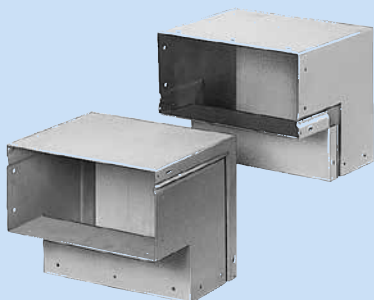
135°



U-brackets are required for assembly

# Type 1204/1207

## 90° Outside and inside elbow



### Features

- continuously open insertion

### Product description

The snap-on duct covers require minimum space to open. If necessary, they can be secured with screws after installation.

This form part has pre-drilled holes for the connecting screws of the connection brackets.

### Technical data

- Sheet thickness: 1,5 mm; 16 ga
- Protection class: Protection against contact as per EN 60529: IP40
- Material: Sheet steel / Stainless steel
- Surface finish: electrolytically-galvanised or brushed

Further technical information → see below

### Scope of delivery

- 1 elbow with cover

### Note

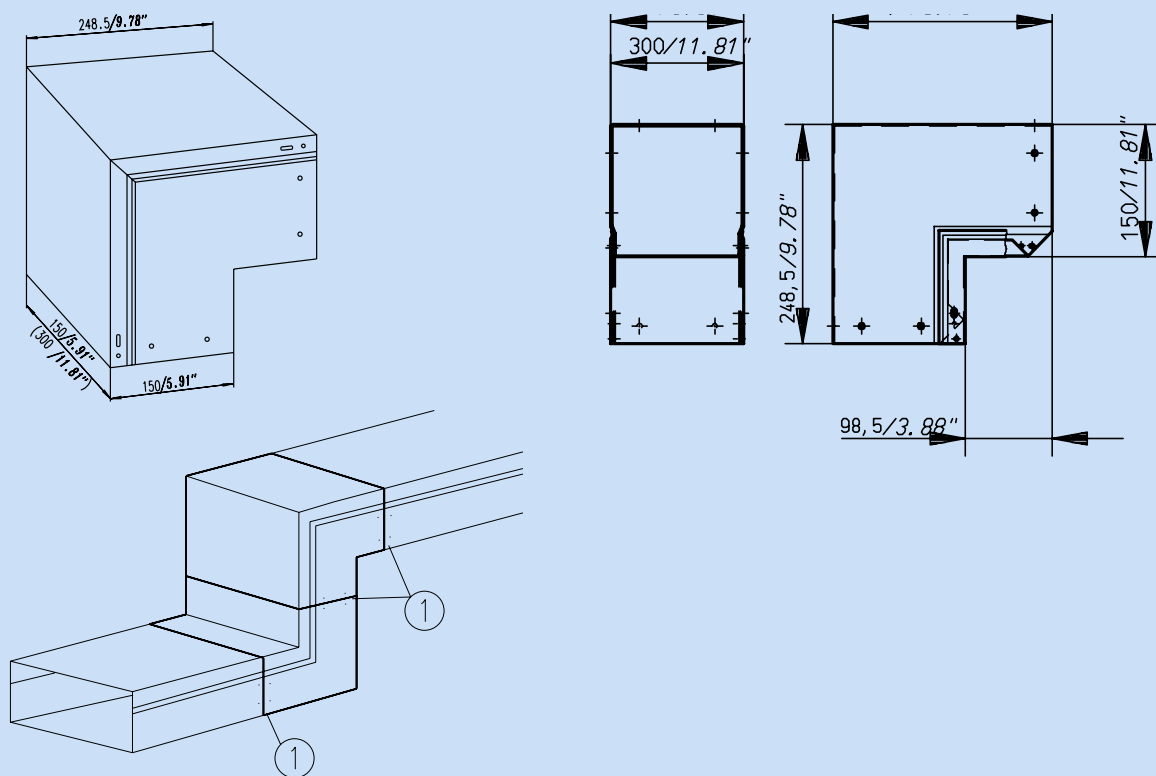
U-brackets or connection brackets are required for assembly.

### Accessories

- Connecting screws → page 38
- Cover screws → page 39

Suitable for width		Suitable for height		Angle	Order no.	
mm	inch	mm	inch		1.5 mm sheet steel, electrolytically galvanised	1.5 mm stainless steel 1.4301, outside brushed
150	5,91	150	5,91	90° outside elbow	<b>1204-1315-02-70</b>	<b>1207-1315-02-70</b>
150	5,91	150	5,91	90° inside elbow	<b>1204-1315-00-90</b>	<b>1207-1315-00-90</b>
300	11,81	150	5,91	90° outside elbow	<b>1204-1330-02-70</b>	<b>1207-1330-02-70</b>
300	11,81	150	5,91	90° inside elbow	<b>1204-1330-00-90</b>	<b>1207-1330-00-90</b>

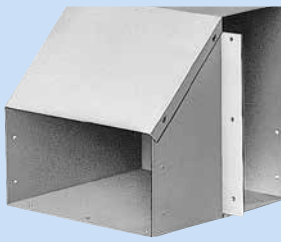
### Technical information



U-brackets are required for assembly



## 90° reversing elbow



### Features

- continuously open insertion

### Product description

For change of profile from (W x H) 300 x 150 mm to 150 x 300 mm.

The snap-on duct covers require minimum space to open. If necessary, they can be secured with screws after installation.

This form part has pre-drilled holes for the connecting screws of the connection brackets.

### Technical data

- Sheet thickness: 1,5 mm; 16 ga
- Protection class: Protection against contact as per EN 60529: IP40

- Material: Sheet steel / Stainless steel

- Surface finish: electrolytically-galvanised or brushed

Further technical information → see below

### Scope of delivery

- 1 reversing elbow with cover

### Note

U-brackets or connection brackets are required for assembly.

### Accessories

- Connecting screws → page 38
- Cover screws → page 39

Version	Suitable for width		Suitable for height		Order no.	
	mm	inch	mm	inch	1.5 mm sheet steel, electrolytically galvanised	1.5 mm stainless steel 1.4301, outside brushed
right-hand version	300	11,81	150	5,91	<b>1204-1430-90-01</b>	<b>1207-1430-90-01</b>
left-hand version	300	11,81	150	5,91	<b>1204-1430-90-02</b>	<b>1207-1430-90-02</b>

### Technical information

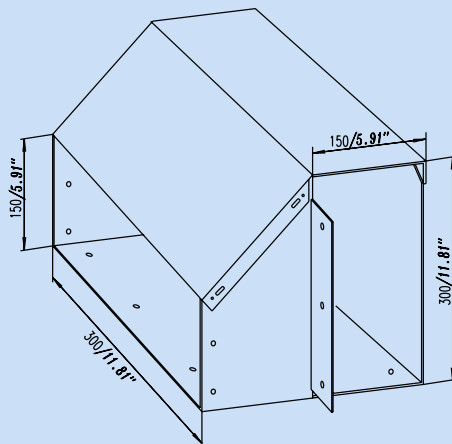
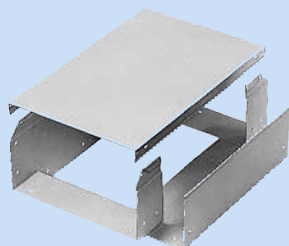


Fig. Shows "right-hand version"

# Type 1204/1207

## Reversing T-section for ducts 300 x 150 mm



### Features

- continuously open insertion

### Product description

For passage from vertical to horizontal cabling. This form part has pre-drilled holes for the connecting screws of the U-connections or connection brackets.

### Technical data

- Sheet thickness: 1,5 mm; 16 ga
- Protection class: Protection against contact as per EN 60529: IP40
- Material: Sheet steel / Stainless steel

- Surface finish: electrolytically-galvanised or brushed

Further technical information → see below

### Scope of delivery

- 1 reversing T-section with cover

### Note

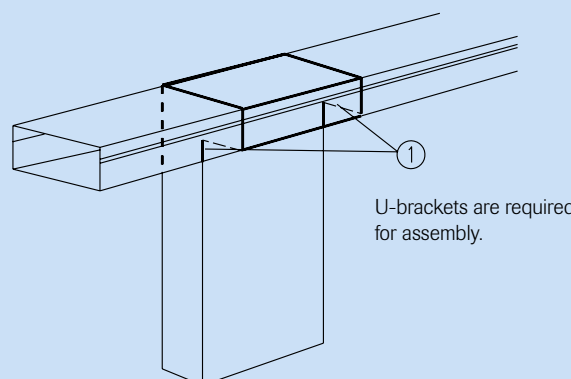
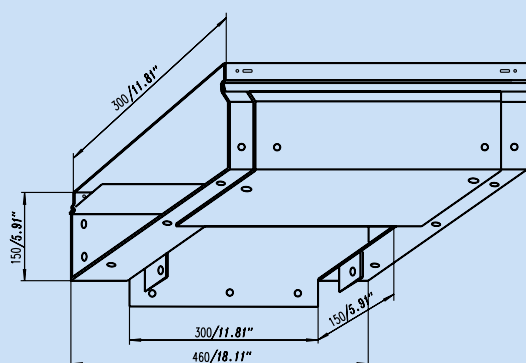
U-brackets or connection brackets are required for assembly.

### Accessories

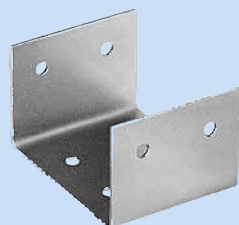
- Connecting screws → page 38

Suitable for width		Suitable for height		Order no.	
mm	inch	mm	inch	1,5 mm sheet steel, electrolytically galvanised	1,5 mm stainless steel 1.4301, outside brushed
300	11,81	150	5,91	<b>1204-1530-00-00</b>	<b>1207-1530-00-00</b>

### Technical information



## Item 1 U-bracket



### Product description

A U-bracket is required for each joint when assembling ducts.

### Technical data

- Sheet thickness: 2 mm; 14 ga
- Material: Sheet steel / Stainless steel
- Surface finish: electrolytically-galvanised or brushed

Further technical information → see below

### Scope of delivery

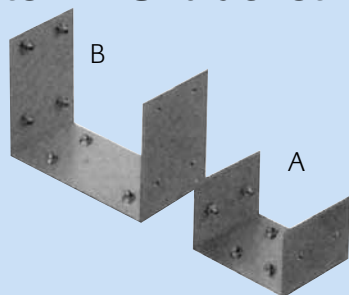
- 1 U-bracket

### Accessories

- Connecting screws → page 38

Suitable for width		Suitable for height		Order no.	
mm	inch	mm	inch	2 mm sheet steel, electrolytically galvanised	2 mm stainless steel 1.4301, outside brushed
60	2.36	60	2.36	1204-0106-10-00	1207-0106-10-00
100	3.94	100	3.94	1204-0110-10-00	1207-0110-10-00
150	5.91	150	5.91	1204-0115-10-00	1207-0115-10-00
300	11.81	150	5.91	1204-0130-10-00	1207-0130-10-00

## Item 1 U-bracket



### Features

- Equipped with pre-cut thread M5 for easy assembly

### Product description

A U-bracket is required for each joint when assembling ducts.

### Technical data

- Sheet thickness: 2 mm; 14 ga
- Material: Sheet steel / Stainless steel

- Surface finish: electrolytically-galvanised or brushed

Further technical information → see below

### Scope of delivery

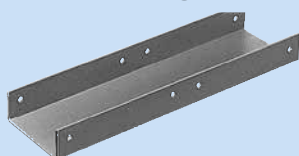
- 1 U-bracket

### Accessories

- Connecting screws → page 38

Suitable for width		Suitable for height		Order no.	
mm	inch	mm	inch	2 mm sheet steel, electrolytically galvanised	2 mm stainless steel 1.4301, outside brushed
60	2.36	60	2.36	1204-0106-10-01	1207-0106-10-01
100	3.94	100	3.94	1204-0110-10-01	1207-0110-10-01
150	5.91	150	5.91	1204-0115-10-01	1207-0115-10-01
300	11.81	150	5.91	1204-0130-10-01	1207-0130-10-01

## Item 2 long U-bracket



### Features

- Connector with increased rigidity for straight duct sections

### Product description

A U-bracket or connection bracket is required for each joint when assembling ducts.

### Technical data

- Sheet thickness: 2 mm; 14 ga

- Material: Sheet steel / Stainless steel

- Surface finish: electrolytically-galvanised or brushed

Further technical information → see below

### Scope of delivery

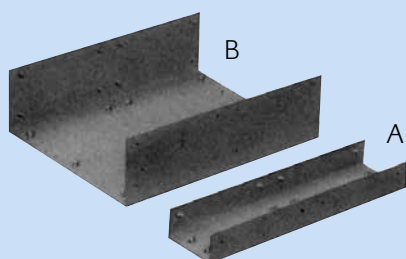
- 1 U-bracket

### Accessories

- Connecting screws → page 38

Suitable for width		Suitable for height		Order no.	
mm	inch	mm	inch	2 mm sheet steel, electrolytically galvanised	2 mm stainless steel 1.4301, outside brushed
100	3.94	100	3.94	1204-0110-20-38	1207-0110-20-38
150	5.91	150	5.91	1204-0115-20-38	1207-0115-20-38
300	11.81	150	5.91	1204-0130-20-38	1207-0130-20-38

## Item 2 long U-bracket



### Features

- Connector with increased rigidity for straight duct sections
- Equipped with press nuts M5 for easy assembly

### Product description

A U-bracket or connection bracket is required for each joint when assembling ducts.

### Technical data

- Sheet thickness: 2 mm; 14 ga

- Material: Sheet steel / Stainless steel

- Surface finish: electrolytically-galvanised or brushed

Further technical information → see below

### Scope of delivery

- 1 U-bracket

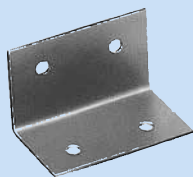
### Accessories

- Connecting screws → page 38

Suitable for width		Suitable for height		Order no.	
mm	inch	mm	inch	2 mm sheet steel, electrolytically galvanised	2 mm stainless steel 1.4301, outside brushed
100	3.94	100	3.94	1204-0110-21-38	1207-0110-21-38
150	5.91	150	5.91	1204-0115-21-38	1207-0115-21-38
300	11.81	150	5.91	1204-0130-21-38	1207-0130-21-38

# Type 1204/1207

## Item 3 180° straight connection bracket



### Product description

For connection of straight duct sections with elbows and T-sections.

### Technical data

- Sheet thickness: 2 mm; 14 ga
- Material: Sheet steel / Stainless steel
- Surface finish: electrolytically-galvanised or brushed

### Scope of delivery

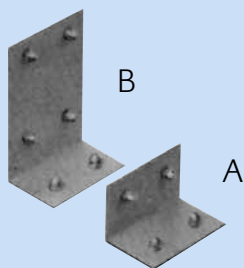
- 1 connection bracket

### Accessories

- Connecting screws → page 38

Suitable for width		Suitable for height		Order no.	
mm	inch	mm	inch	2 mm sheet steel, electrolytically galvanised	2 mm stainless steel 1.4301, outside brushed
60	2,36	60	2,36	<b>1204-0106-30-00</b>	<b>1207-0106-30-00</b>
100	3,94	100	3,94	<b>1204-0110-30-00</b>	<b>1207-0110-30-00</b>
150	5,91	150	5,91		
300	11,81	150	5,91		

## Item 3 180° straight connection bracket



### Features

- Equipped with pre-cut thread M5 for easy assembly

### Product description

For connection of straight duct sections with elbows and T-sections.

### Technical data

- Sheet thickness: 2 mm; 14 ga
- Material: Sheet steel / Stainless steel
- Surface finish: electrolytically-galvanised or brushed

### Scope of delivery

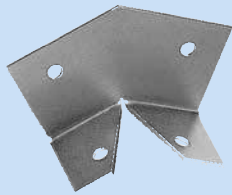
- 1 connection bracket

### Accessories

- Connecting screws → page 38

Suitable for width		Suitable for height		Version	Order no.	
mm	inch	mm	inch		2 mm sheet steel, electrolytically galvanised	2 mm stainless steel 1.4301, outside brushed
60	2,36	60	2,36	A	<b>1204-0106-30-01</b>	<b>1207-0106-30-01</b>
100	3,94	100	3,94	A	<b>1204-0110-30-01</b>	<b>1207-0110-30-01</b>
150	5,91	150	5,91	B	<b>1204-0115-30-01</b>	<b>1207-0115-30-01</b>
300	11,81	150	5,91	B		

## Item 4 135° and 157.5° connection bracket



### Product description

For connection of straight duct sections with elbows and T-sections.

### Technical data

- Sheet thickness: 2 mm; 14 ga
- Material: Sheet steel / Stainless steel
- Surface finish: electrolytically-galvanised or brushed

### Scope of delivery

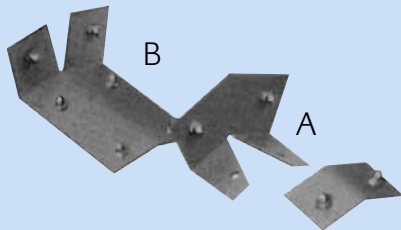
- 1 connection bracket

### Accessories

- Connecting screws → page 38

Suitable for width		Suitable for height		Angle	Order no.	
mm	inch	mm	inch		2 mm sheet steel, electrolytically galvanised	2 mm stainless steel 1.4301, outside brushed
60	2,36	60	2,36	135°	<b>1204-0106-40-00</b>	<b>1207-0106-40-00</b>
100	3,94	100	3,94		<b>1204-0110-40-35</b>	<b>1207-0110-40-35</b>
150	5,91	150	5,91			
300	11,81	150	5,91			
60	2,36	60	2,36	157,5°	<b>1204-0106-60-00</b>	<b>1207-0106-60-00</b>
100	3,94	100	3,94		<b>1204-0110-60-57</b>	<b>1207-0110-60-57</b>
150	5,91	150	5,91			
300	11,81	150	5,91			

## Item 4 135° and 157.5° connection bracket



### Features

- Equipped with pre-cut thread M5 for easy assembly

### Product description

For connection of straight duct sections with elbows and T-sections.

### Technical data

- Sheet thickness: 2 mm; 14 ga
- Material: Sheet steel / Stainless steel
- Surface finish: electrolytically-galvanised or brushed

### Scope of delivery

- 1 connection bracket

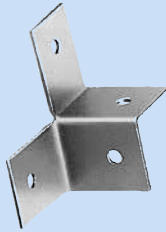
### Accessories

- Connecting screws → page 38

Suitable for width		Suitable for height		Version	Angle	Order no.	
mm	inch	mm	inch			2 mm sheet steel, electrolytically galvanised	2 mm stainless steel 1.4301, outside brushed
60	2,36	60	2,36		135°	<b>1204-0106-41-00</b>	<b>1207-0106-41-00</b>
100	3,94	100	3,94	A		<b>1204-0110-41-35</b>	<b>1207-0110-41-35</b>
150	5,91	150	5,91	B		<b>1204-0115-41-35</b>	<b>1207-0115-41-35</b>
300	11,81	150	5,91	B			
60	2,36	60	2,36		157,5°	<b>1204-0106-61-00</b>	<b>1207-0106-61-00</b>
100	3,94	100	3,94	A		<b>1204-0110-61-57</b>	<b>1207-0110-61-57</b>
150	5,91	150	5,91	B		<b>1204-0115-61-57</b>	<b>1207-0115-61-57</b>
300	11,81	150	5,91	B			

# Type 1204/1207

## Item 5 90° connection bracket



### Product description

To mount two elbows or T-sections side by side

### Technical data

- Sheet thickness: 2 mm; 14 ga
- Material: Sheet steel / Stainless steel
- Surface finish: electrolytically-galvanised or brushed

### Scope of delivery

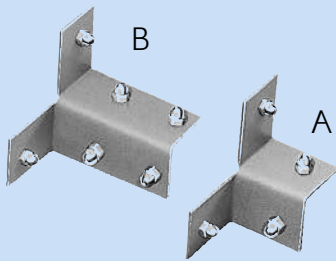
- 1 connecting bracket

### Accessories

- Connecting screws → page 38

Suitable for width		Suitable for height		Angle	Order no.	
mm	inch	mm	inch		2 mm sheet steel, electrolytically galvanised	2 mm stainless steel 1.4301, outside brushed
60	2,36	60	2,36	90°	<b>1204-0106-50-90</b>	<b>1207-0106-50-90</b>
100	3,94	100	3,94		<b>1204-0110-50-90</b>	<b>1207-0110-50-90</b>
150	5,91	150	5,91			
300	11,81	150	5,91			

## Item 5 90° connection bracket



### Features

- Equipped with pre-cut thread M5 for easy assembly

### Product description

To mount two elbows or T-sections side by side

### Technical data

- Sheet thickness: 2 mm; 14 ga
- Material: Sheet steel / Stainless steel

- Surface finish: electrolytically-galvanised or brushed

### Scope of delivery

- 1 connecting bracket

### Accessories

- Connecting screws → page 38

Suitable for width		Suitable for height		Version	Angle	Order no.	
mm	inch	mm	inch			2 mm sheet steel, electrolytically galvanised	2 mm stainless steel 1.4301, outside brushed
60	2,36	60	2,36	A	90°	<b>1204-0106-51-90</b>	<b>1207-0106-51-90</b>
100	3,94	100	3,94	A		<b>1204-0110-51-90</b>	<b>1207-0110-51-90</b>
150	5,91	150	5,91	B			
300	11,81	150	5,91	B		<b>1204-0115-51-90</b>	<b>1207-0115-51-90</b>

## Connecting screws



### Product description

Connecting screws to connect parts.

Please select the set "with serrated lock washer" when using brackets with press nuts.  
Please select the set "with locknut" when using brackets without press nuts.

### Scope of delivery

- 1 set = 100 pieces

Description	Order no.	
	galvanised steel	stainless steel A2
<b>Connecting screws M5 x 8 with locknut</b>	<b>1204-9001-05-08</b>	<b>1207-9001-05-08</b>
<b>Connecting screws M5 x 8 with serrated lock washer</b>	<b>1204-9004-05-08</b>	<b>1207-9004-05-08</b>

## Blind rivet

Description	Order no.	
	galvanised steel	stainless steel A2
Blind rivet 4 x 8 (1 set = 100 pieces)	1204-9337-04-08	1207-9337-04-08

## Plastic plugs

### Product description

To close holes with  $\varnothing$  6 mm

### Scope of delivery

- 1 set = 100 pieces

### Technical Data

- Variant: plastic plug  $\varnothing$  6
- Diameter: Diameter 6 mm

Description	Order no.
Plastic plugs $\varnothing$ 6	3080-9115-06-50

## Cover screws



### Product description

To attach the duct cover to the duct.

### Note

Steel version for duct system 1204 = sheet metal screw  
Stainless steel version for duct system 1207 = ratchet screw with metric thread.

### Scope of delivery

- 1 set = 100 pieces

Description	Order no.	
	galvanised steel	stainless steel A2
Cover screws	1204-9003-03-09	1207-9003-05-10

## Punch



### Product description

To punch connecting holes into cut cable ducts, suitable for all duct sizes of type 1204 and 107. Lateral and depth stops allow holes to be punched without prior marking.

### Scope of delivery

- 1 punch

### Note

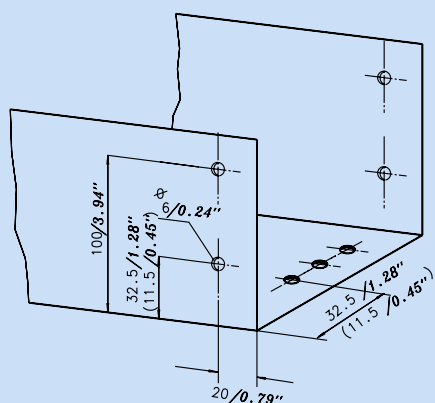
To punch stainless steel sheets up to a thickness of 1.5 mm.

### Technical data

Further technical information → see below

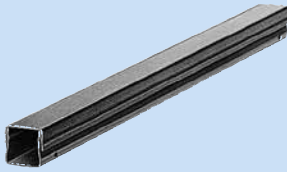
Description	Order no.
Punch	1204-1301-06-00

## Technical information



# Type 1204/1207: Cable duct 30 x 30 mm

## Straight duct section



### Features

- continuously open insertion

### Product description

The snap-on duct covers require minimum space to open. If necessary, they can be secured with screws after installation.

The duct ends have pre-drilled holes for the connection screws of u-brackets.

### Technical data

- Sheet thickness: 1.0 mm; 18 ga
- Protection class: Protection against contact as per EN 60529: IP40
- Material: Sheet steel / Stainless steel

- Surface finish: electrolytically-galvanised or brushed

Further technical information → see below

### Scope of delivery

- 1 cable duct with cover

### Note

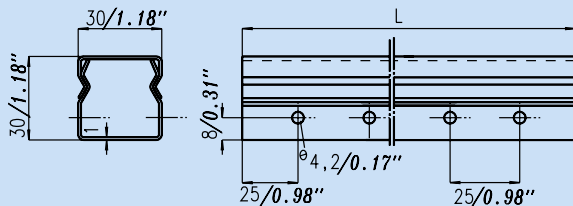
Intermediate lengths can be made by simply cutting the cable ducts using a jigsaw or band-saw and then punching the connection holes. The different parts are connected using U-brackets.

### Accessories

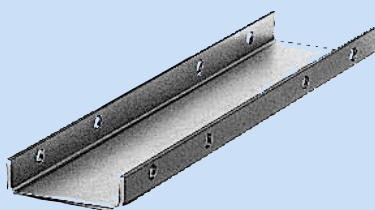
- Connecting screws → page 44

Description	L		Weight		Order no.	
	mm	inch	kg	lbs	1 mm sheet steel, electrolytically galvanised	1 mm stainless steel 1.4301, outside brushed
Straight duct section	1000	39,37	1,1	2,43	<b>1204-0003-10-00</b>	<b>1207-0003-10-00</b>
	2000	78,74	2,2	4,85	<b>1204-0003-20-00</b>	<b>1207-0003-20-00</b>

### Technical information



## Straight U-bracket



### Product description

A bracket or connector is required for each joint when assembling ducts.

For connection connecting screws M4 with nuts are used.

### Technical data

- Sheet thickness: 1.0 mm; 18 ga
- Material: Sheet steel / Stainless steel

- Surface finish: electrolytically-galvanised or brushed

Further technical information → see below

### Scope of delivery

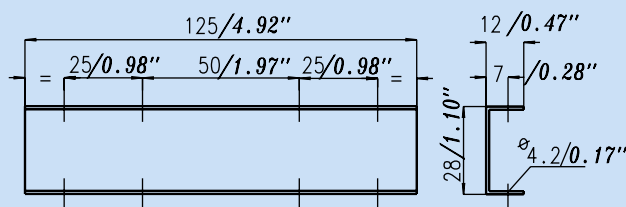
- 1 U-bracket

### Accessories

- Connecting screws → page 44

Description	Weight		Order no.	
	kg	lbs	1 mm sheet steel, electrolytically galvanised	1 mm stainless steel 1.4301, outside brushed
Straight U-bracket	0,05	0,11	<b>1204-0803-12-03</b>	<b>1207-0803-12-03</b>

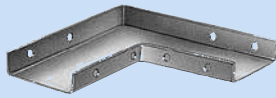
### Technical information





# Type 1204/1207: Cable duct 30 x 30 mm

## 90° elbow connector



### Product description

A bracket or connector is required for each joint when assembling ducts.

For connection connecting screws M4 with nuts are used.

### Technical data

- Sheet thickness: 1.0 mm; 18 ga
- Material: Sheet steel / Stainless steel

- Surface finish: electrolytically-galvanised or brushed

Further technical information → see below

### Scope of delivery

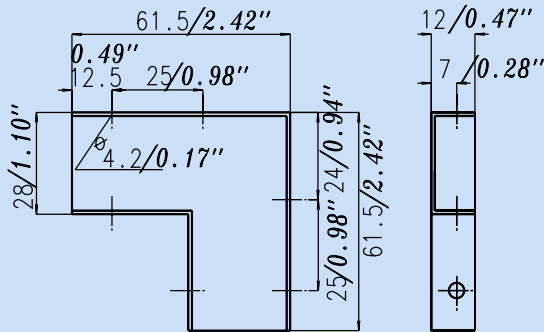
- 1 elbow connector

### Accessories

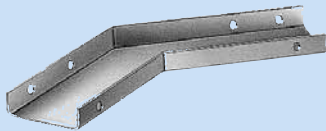
- Connecting screws → page 44

Description	Weight		Order no.	
	kg	lbs	1 mm sheet steel, electrolytically galvanised	1 mm stainless steel 1.4301, outside brushed
90° elbow connector	0,03	0,07	<b>1204-0803-90-03</b>	<b>1207-0803-90-03</b>

### Technical information



## 135° elbow connector



### Product description

A bracket or connector is required for each joint when assembling ducts.

For connection connecting screws M4 with nuts are used.

### Technical data

- Sheet thickness: 1.0 mm; 18 ga
- Material: Sheet steel / Stainless steel

- Surface finish: electrolytically-galvanised or brushed

Further technical information → see below

### Scope of delivery

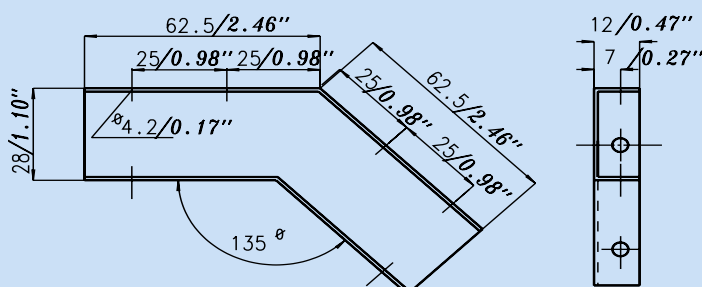
- 1 elbow connector

### Accessories

- Connecting screws → page 44

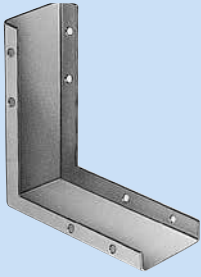
Description	Weight		Order no.	
	kg	lbs	1 mm sheet steel, electrolytically galvanised	1 mm stainless steel 1.4301, outside brushed
135° Elbow connector	0,04	0,09	<b>1204-0803-45-03</b>	<b>1207-0803-45-03</b>

### Technical information



# Type 1204/1207: Cable duct 30 x 30 mm

## Inside elbow connector



### Product description

A bracket or connector is required for each joint when assembling ducts.

For connection connecting screws M4 with nuts are used.

### Technical data

- Sheet thickness: 1.0 mm; 18 ga
- Material: Sheet steel / Stainless steel

- Surface finish: electrolytically-galvanised or brushed
- Further technical information → see below

### Scope of delivery

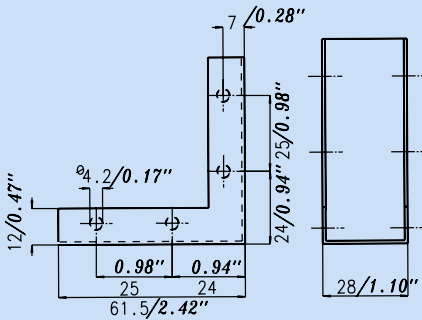
- 1 inside elbow connector

### Accessories

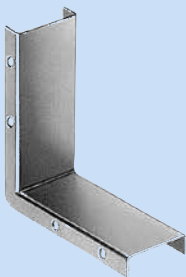
- Connecting screws → page 44

Description	weight		Order no.	
	kg	lbs	1 mm sheet steel, electrolytically galvanised	1 mm stainless steel 1.4301, outside brushed
Inside elbow connector	0,04	0,09	<b>1204-0803-61-03</b>	<b>1207-0803-61-03</b>

### Technical information



## Outside elbow connector



### Product description

A bracket or connector is required for each joint when assembling ducts.

For connection connecting screws M4 with nuts are used.

### Technical data

- Sheet thickness: 1.0 mm; 18 ga
- Material: Sheet steel / Stainless steel

- Surface finish: electrolytically-galvanised or brushed
- Further technical information → see below

### Scope of delivery

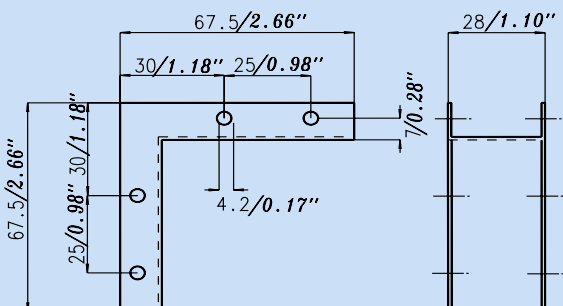
- 1 outside elbow connector

### Accessories

- Connecting screws → page 44

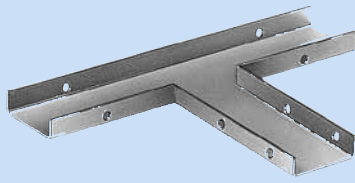
Description	weight		Order no.	
	kg	lbs	1 mm sheet steel, electrolytically galvanised	1 mm stainless steel 1.4301, outside brushed
Outside elbow connector	0,04	0,09	<b>1204-0803-67-03</b>	<b>1207-0803-67-03</b>

### Technical Information



# Type 1204/1207: Cable duct 30 x 30 mm

## T-section connector



### Product description

A bracket or connector is required for each joint when assembling ducts.

For connection connecting screws M4 with nuts are used.

### Technical data

- Sheet thickness: 1.0 mm; 18 ga
- Material: Sheet steel / Stainless steel
- Surface finish: electrolytically-galvanised or brushed

Further technical information → see below

### Scope of delivery

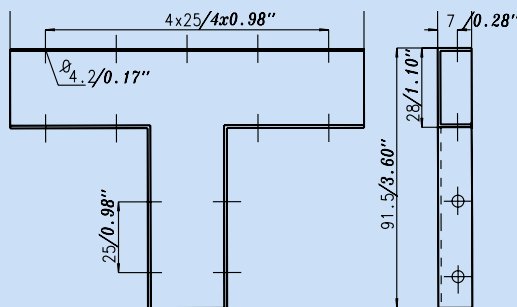
- 1 T-section connector

### Accessories

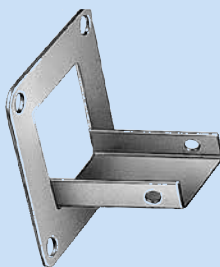
- Connecting screws → page 44

Description	weight		Order no.	
	kg	lbs	1 mm sheet steel, electrolytically galvanised	1 mm stainless steel 1.4301, outside brushed
T-section connector	0,06	0,13	<b>1204-0803-13-03</b>	<b>1207-0803-13-03</b>

### Technical information



## Adaptor flange



### Product description

For mounting ducts to housings, cabinets, machinery etc.

This form part has a connective U-bracket integrated.

### Technical data

- Sheet thickness: 1.0 mm; 18 ga
- Material: Sheet steel / Stainless steel

- Surface finish: electrolytically-galvanised or brushed

Further technical information → see below

### Scope of delivery

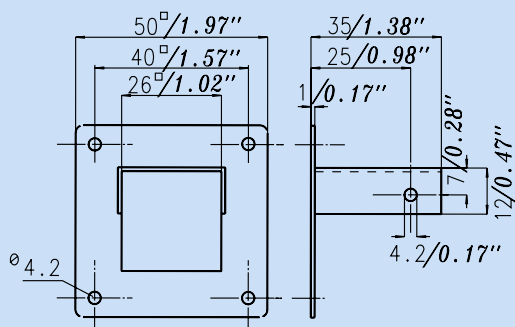
- 1 adaptor flange with U-bracket

### Accessories

- Connecting screws → page 44

Description	weight		Order no.	
	kg	lbs	1 mm sheet steel, electrolytically galvanised	1 mm stainless steel 1.4301, outside brushed
Adaptor flange	0,03	0,07	<b>1204-0803-35-03</b>	<b>1207-0803-35-03</b>

### Technical information



# Type 1204/1207: Cable duct 30 x 30 mm

## Connecting screws



### Product description

Connecting screws to connect straight duct sections via U-brackets.

### Scope of delivery

- 1 set = 100 pieces

### Note

Steel version for duct system 1204

Stainless steel version for duct system 1207.

Description	Order no.	
	Connecting screws M4x8 with locknut	galvanised steel
<b>1204-9002-04-08</b>		<b>1207-9002-04-08</b>

## Blind rivet

Description	Order no.	
	Blind rivet 4 x 8 (1 set = 100 pieces)	galvanised steel
<b>1204-9337-04-08</b>		<b>1207-9337-04-08</b>



## Type 1206

This cable duct system combines functionality with a modern industrial design.

A unique cable duct which allows continuous insertion while maintaining protection class IP54!

This allows quick installation, but also easy retrofitting.

Thanks to the availability of partition panels in the accessories section, this system is also ideally suited for the routing of pneumatic and / or hydraulic cables; and for control and supply lines.

The effort of cutting parts, punch holes and re-painting on site is too high. Therefore this duct system is manufactured to customer specifications.

Modifications are possible on request.

This system is available in seven sizes:

75 x 75 mm, 100 x 100 mm, 150 x 100 mm, 200 x 100 mm, 200 x 200 mm, 300 x 150 mm and 300 x 300 mm

### Construction principle

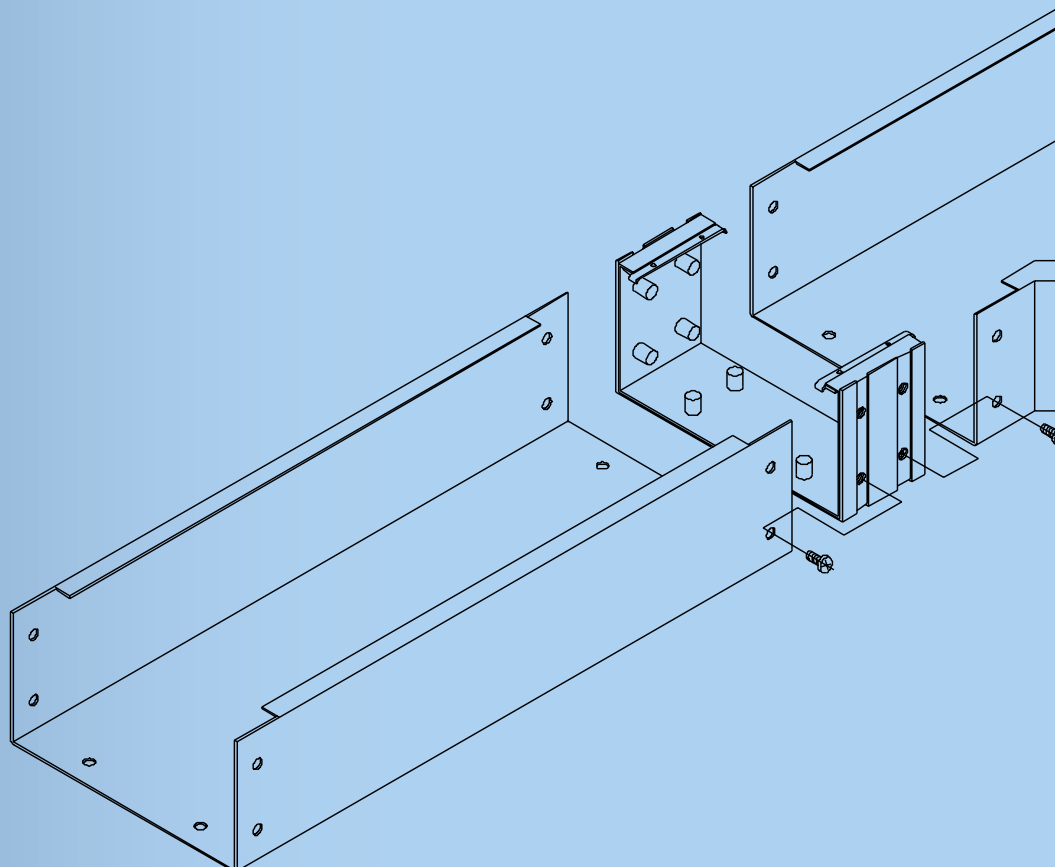
The unique internal joint design allows all duct system components to be easily and quickly assembled.

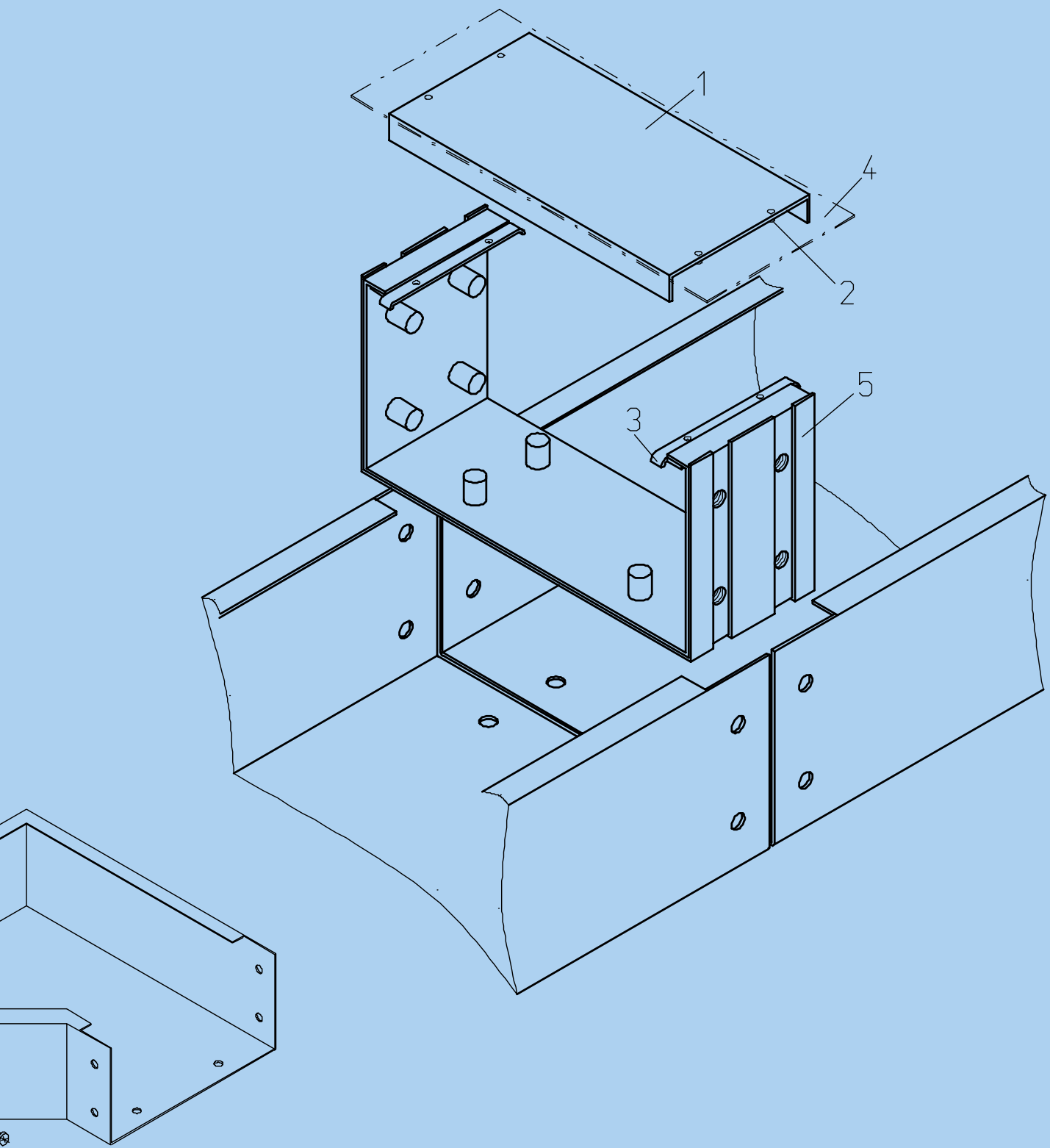
All duct components can be opened on one side, providing unrestricted access for cabling. The cover (1) of the U-bracket is positioned with guide pins (2) and held in place by clamping action of the sides of the bracket (3). Thereby, a very sturdy cable system can be realized.

Precise construction and functional gaskets (4, 5) assure that all components conform to protection class IP 54.

All visible cable duct components are electrolytically galvanized and can be easily painted or powder coated.

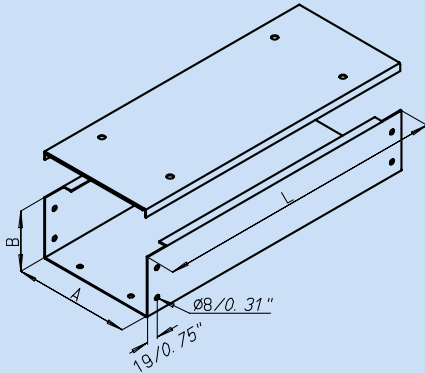
All duct components / parts are equipped with grounding and safety bolts.





# Type 1206

## Straight duct section



### Features

- protection class IP54
- continuous insertion
- very sturdy

### Product description

- Duct with 3 threaded bolts M6 for potential equalization.
- With cover and steel turn lock supplied as a loose part.
- 17x5 mm knockouts are provided in the cover for optional mounting of hinge brackets. Hinge brackets must be ordered as accessories.
- Retaining cord to secure the cover to the duct as well as grounding cable must be ordered separately.
- All gaskets are made from oil-resistant material.
- Due to the partition panels available as accessories, this system is perfectly suitable for routing cables, air lines and hydraulic lines in one duct.

### Technical data

- Grounding according to DIN EN 60439-1
  - Sheet thickness: 1.5 mm; 16 ga
  - Protection class: IP54
  - Material: Sheet steel
  - Surface finish: electrolytically galvanised
- Further technical information → see below

### Scope of delivery

- 1 duct section with cover
- gasket 12 x 4 mm self-adhesive on one side
- turn locks loosely enclosed

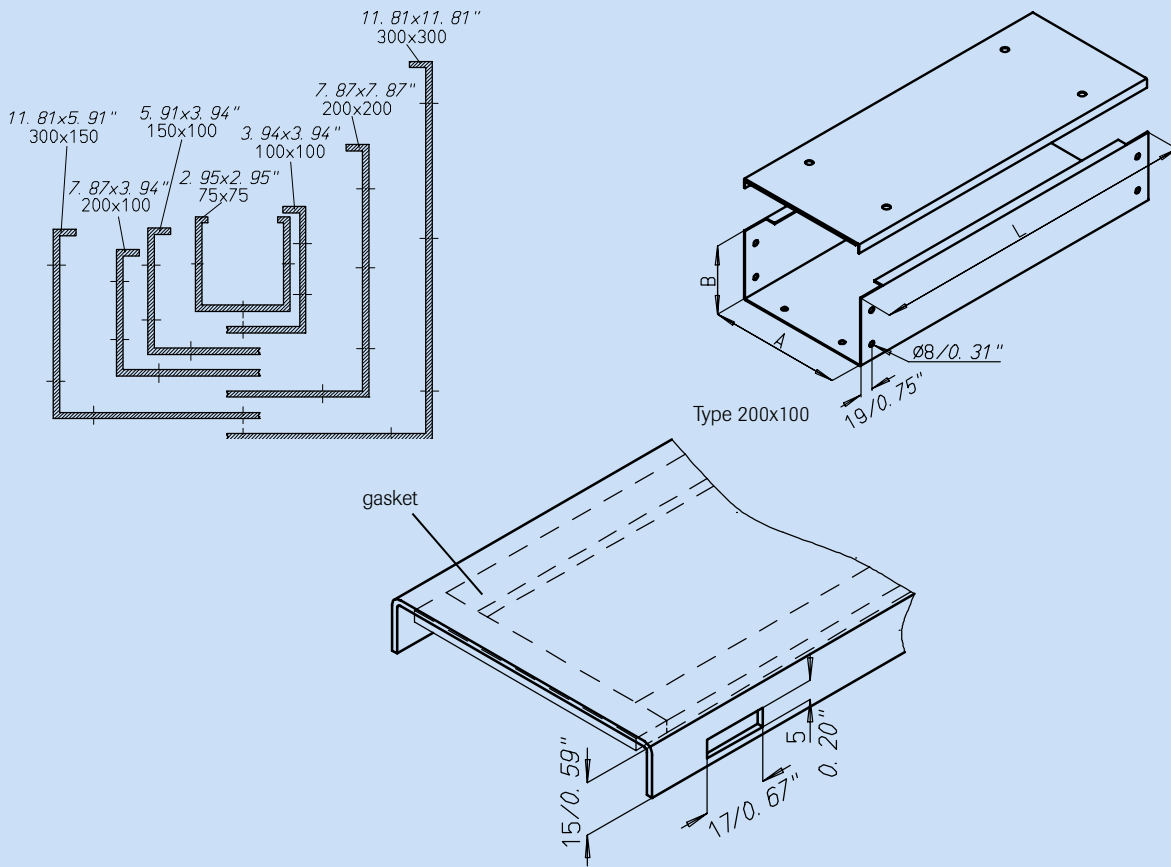
### Note

- Enquire about intermediate lengths directly from us. For individual cases you can also cut intermediate lengths by sawing and gauging the section.
- Connection to other form parts require a U-bracket.
- Dimensions AxB are inside dimensions of duct.

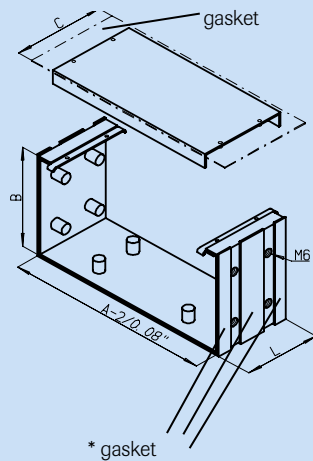
Description	AxB		L		Number of closures	Number of hinge brackets	Ø 8	Order no.
	mm	inch	mm	inch				
straight duct section	75 x 75	2,95 x 2,95	2.000	78,74	8	4x	6x	<b>1206-0002-20-00</b>
	75 x 75	2,95 x 2,95	1.500	59,06	8	4x	6x	<b>1206-0002-15-00</b>
	75 x 75	2,95 x 2,95	1.000	39,37	6	3x	6x	<b>1206-0002-10-00</b>
	75 x 75	2,95 x 2,95	500	19,69	4	2x	6x	<b>1206-0002-05-00</b>
	100 x 100	3,94 x 3,94	2.000	78,74	8	4x	10x	<b>1206-0003-20-00</b>
	100 x 100	3,94 x 3,94	1.500	59,06	8	4x	10x	<b>1206-0003-15-00</b>
	100 x 100	3,94 x 3,94	1.000	39,37	6	3x	10x	<b>1206-0003-10-00</b>
	100 x 100	3,94 x 3,94	500	19,69	4	2x	10x	<b>1206-0003-05-00</b>
	150 x 100	5,91 x 3,94	2.000	78,74	8	4x	12x	<b>1206-0004-20-00</b>
	150 x 100	5,91 x 3,94	1.500	59,06	8	4x	12x	<b>1206-0004-15-00</b>
	150 x 100	5,91 x 3,94	1.000	39,37	6	3x	12x	<b>1206-0004-10-00</b>
	150 x 100	5,91 x 3,94	500	19,69	4	2x	12x	<b>1206-0004-05-00</b>
	200 x 100	7,87 x 3,94	2.000	78,74	8	4x	12x	<b>1206-0005-20-00</b>
	200 x 100	7,87 x 3,94	1.500	59,06	8	4x	12x	<b>1206-0005-15-00</b>
	200 x 100	7,87 x 3,94	1.000	39,37	6	3x	12x	<b>1206-0005-10-00</b>
	200 x 100	7,87 x 3,94	500	19,69	4	2x	12x	<b>1206-0005-05-00</b>
	200 x 200	7,87 x 7,87	2.000	78,74	8	4x	16x	<b>1206-0006-20-00</b>
	200 x 200	7,87 x 7,87	1.500	59,06	8	4x	16x	<b>1206-0006-15-00</b>
	200 x 200	7,87 x 7,87	1.000	39,37	6	3x	16x	<b>1206-0006-10-00</b>
	200 x 200	7,87 x 7,87	500	19,69	4	2x	16x	<b>1206-0006-05-00</b>
	300 x 150	11,81 x 5,91	2.000	78,74	8	4x	14x	<b>1206-0007-20-00</b>
	300 x 150	11,81 x 5,91	1.500	59,06	8	4x	14x	<b>1206-0007-15-00</b>
	300 x 150	11,81 x 5,91	1.000	39,37	6	3x	14x	<b>1206-0007-10-00</b>
	300 x 150	11,81 x 5,91	500	19,69	4	2x	14x	<b>1206-0007-05-00</b>
	300 x 300	11,81 x 11,81	2000	78,74	8	4x	18x	<b>1206-0008-20-00</b>
	300 x 300	11,81 x 11,81	1.500	59,06	8	4x	18x	<b>1206-0008-15-00</b>
	300 x 300	11,81 x 11,81	1.000	39,37	6	3x	18x	<b>1206-0008-10-00</b>
	300 x 300	11,81 x 11,81	500	19,69	4	2x	18x	<b>1206-0008-05-00</b>



## Technical information



## 1 U-bracket



### Features

- Protection class IP54
- continuous insertion
- very robust

### Product description

U-bracket consisting of a frame with pressed nuts M6, loosely enclosed gaskets and a pluggable bridge section which lends the U-bracket its stability. All gaskets are made from oil-resistant material.

This U-bracket is required for all joints of ducts and accessories.

### Technical data

- Grounding according to DIN EN 60439-1
  - Sheet thickness: 1.5 mm; 16 ga
  - Material: Sheet steel
  - Surface finish: electrolytically galvanised
- Further technical information → see below

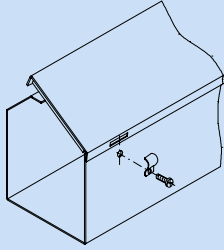
### Scope of delivery

- 1 U-bracket with press nuts M6 and gaskets

Description	AxB		L		C		M 6	Order No.
	mm	inch	mm	inch	mm	inch		
U-bracket	75 x 75	2,95 x 2,95	40	1,57	55	2,17	6x	<b>1206-0102-00-00</b>
	100 x 100	3,94 x 3,94	75	2,95	90	3,54	10x	<b>1206-0103-00-00</b>
	150 x 100	5,91 x 3,94	75	2,95	90	3,54	12x	<b>1206-0104-00-00</b>
	200 x 100	7,87 x 3,94	75	2,95	90	3,54	12x	<b>1206-0105-00-00</b>
	200 x 200	7,87 x 7,87	75	2,95	90	3,54	16x	<b>1206-0106-00-00</b>
	300 x 150	11,81 x 5,91	75	2,95	90	3,54	14x	<b>1206-0107-00-00</b>
	300 x 300	11,81 x 11,81	75	2,95	90	3,54	18x	<b>1206-0108-00-00</b>

# Type 1206

## Hinge bracket



### Product description

Strap hinges can be mounted in the cover knockouts 17 x 5 mm / 0.67 x 0.20". One attachment hole is required per hinge. Further technical information → see below

### Scope of delivery

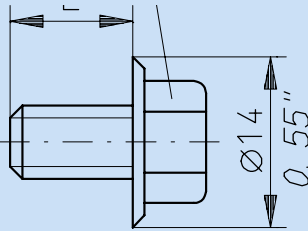
- 2 hinge brackets with fixing parts

### Note

- Suitable for junction boxes and cable ducts of type 1206.
- For junction boxes K8 and K12, mounting is possible without drilling.

Description	Order no.
Hinge bracket	2408-7201-15-03

## Hex screws with toothed grip



### Product description

The teeth cut through the paint and establishes potential equalisation.

### Technical data

- M6 thread
- L: 10 mm; 0.39 inch

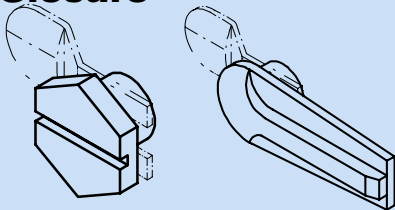
- Material: Sheet steel
- Surface finish: galvanised

### Scope of delivery

- 1 set= 500 pieces

Description	Order no.
Hex screws with toothed grip M 6	1206-3100-00-00

## Closure



### Product description

Turn lock made from steel or plastic. Meets with O-ring protection class IP 65.

### Technical data

Further technical information → see below

### Scope of delivery

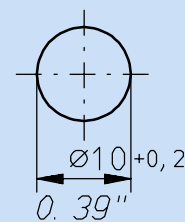
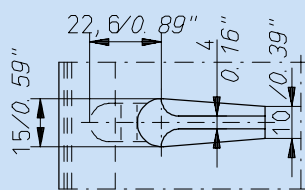
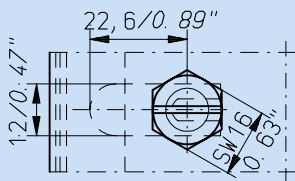
- Pos 1, 2, 3: 1 piece each
- O-rings: 1 set = 100 pieces

### Note

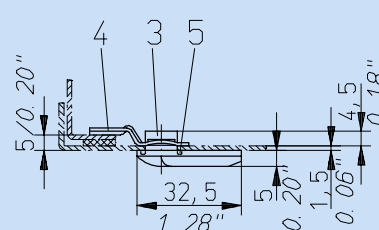
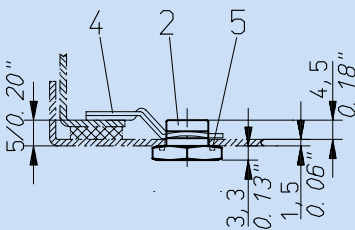
The locking pin made from die-cast zinc (Pos. 1) is better suited for frequent use.

Material	Order no.			
	Locking pin pos. 1	Locking lever pos. 2	Latch pos. 3	O-ring pos. 4
die-cast zinc	1206-2900-00-00			
plastic, black		1206-2700-00-00		
galvanised spring steel			1206-3300-00-00	
NBR				1206-3600-00-00

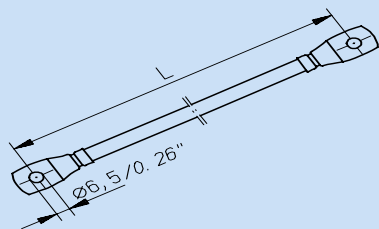
## Technical information



Mounting hole



## Grounding cable



### Product description

- for potential equalisation

### Technical data

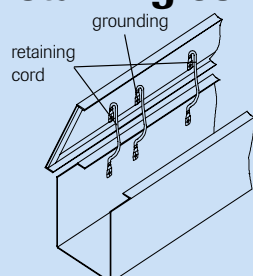
- Cable lug on both sides with 6.5 mm hole diameter
- Conduction colour: yellow-green
- Material: H07V-K

### Scope of delivery

- Order no. 3080-9036-06-20: 1 set consisting of 5x cable, thread-forming screw Ø 5, screw M6 and serrated lock washer A5 und A6, 10x each: washer Ø 6,4 and nut M6
- Order no. 1206-3800-00-00: 1 set consisting of 10x cable, 20x serrated lock washer A6 and 20x cap nut M6

Description	Cross section mm <sup>2</sup>	L		Order no.
		mm	inch	
Grounding cable	6	200	7,87	<b>3080-9036-06-20</b>
	6	200	7,87	<b>1206-3800-00-00</b>

## Retaining cord



### Product description

- For securing cover to cable ducts or accessories.

### Scope of delivery

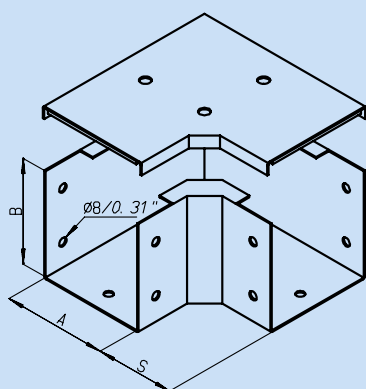
- 20 retaining cords with fixing parts

### Note

- L = 130 mm is suitable for cable duct sizes: 75 x 75 and 100 x 100 mm.
- L = 180 mm is suitable for cable duct sizes: 150 x 100, 200 x 100, 200 x 200, 300 x 300 mm.

Description	L		Order no.
	mm	inch	
Retaining cord	130	5.12	<b>1206-3400-00-00</b>
	180	7.09	<b>1206-3500-00-00</b>

## 90° elbow top access



### Features

- Protection class IP54
- continuous insertion
- very robust

### Product description

- Duct with threaded bolt M6 for potential equalization.
- With cover and steel turn lock supplied as a loose part.
- Retaining cord to secure the cover to the duct as well as grounding cable must be ordered separately.
- All gaskets are made from oil-resistant material.

### Technical data

- Grounding according to DIN EN 60439-1
  - Sheet thickness: 1.5 mm; 16 ga
  - Protection class IP54
  - Material: Sheet steel
  - Surface finish: electrolytically galvanised
- Further technical information → see below

### Scope of delivery

- 1 elbow with cover
- gasket 12 x 4 mm self-adhesive on one side and turn locks loosely enclosed

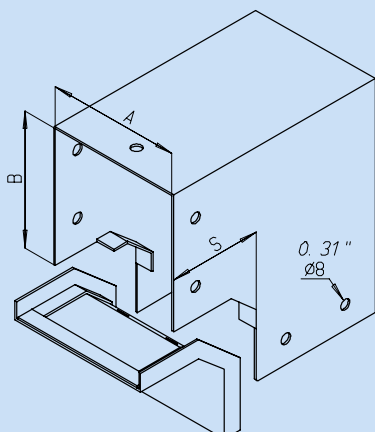
### Note

- Connection to other parts require a U-bracket.
- Dimensions AxB are inside dimensions of duct

Description	AxB		System dimension S		Number of closures	Ø 8	Order no.
	mm	inch	mm	inch			
90° elbow top access	75 x 75	2,95 x 2,95	53	2,09	3	6x	<b>1206-0202-00-00</b>
	100 x 100	3,94 x 3,94	73	2,87	3	10x	<b>1206-0203-00-00</b>
	150 x 100	5,91 x 3,94	103	4,06	3	12x	<b>1206-0204-00-00</b>
	200 x 100	7,87 x 3,94	103	4,06	4	12x	<b>1206-0205-00-00</b>
	200 x 200	7,87 x 7,87	103	4,06	4	16x	<b>1206-0206-00-00</b>
	300 x 150	11,81 x 5,91	103	4,06	4	14x	<b>1206-0207-00-00</b>
	300 x 300	11,81 x 11,81	103	4,06	4	18x	<b>1206-0208-00-00</b>

# Type 1206

## 90° elbow internal access



### Features

- Protection class IP54
- continuous insertion
- very robust

### Product description

- Duct with threaded bolt M6 for potential equalization.
- With cover and steel turn lock supplied as a loose part.
- Retaining cord to secure the cover to the duct as well as grounding cable must be ordered separately.
- All gaskets are made from oil-resistant material.

### Technical data

- Grounding according to DIN EN 60439-1
- Sheet thickness: 1.5 mm; 16 ga
- Protection class IP54
- Numbers of closures: 2
- Material: Sheet steel
- Surface finish: electrolytically galvanised

### Scope of delivery

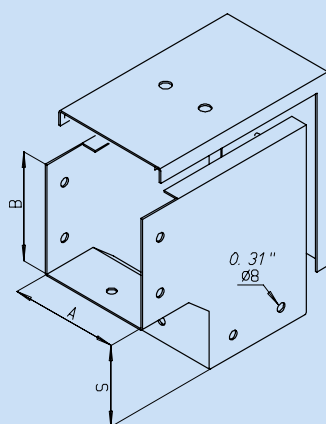
- 1 elbow with cover
- gasket 12 x 4 mm self-adhesive on one side with turn locks loosely enclosed

### Note

- Connection to other parts require a U-bracket.
- Dimensions AxB are inside dimensions of duct

Description	AxB		System dimension S		Ø 8	Order no.
	mm	inch	mm	inch		
90° elbow internal access	75 x 75	2,95 x 2,95	53	2,09	6x	<b>1206-0302-00-00</b>
	100 x 100	3,94 x 3,94	73	2,87	10x	<b>1206-0303-00-00</b>
	150 x 100	5,91 x 3,94	103	4,06	12x	<b>1206-0304-00-00</b>
	200 x 100	7,87 x 3,94	103	4,06	12x	<b>1206-0305-00-00</b>
	200 x 200	7,87 x 7,87	103	4,06	16x	<b>1206-0306-00-00</b>
	300 x 150	11,81 x 5,91	103	4,06	14x	<b>1206-0307-00-00</b>
	300 x 300	11,81 x 11,81	103	4,06	18x	<b>1206-0308-00-00</b>

## 90° elbow external access



### Features

- Protection class IP54
- continuous insertion
- very robust

### Product description

- Duct with threaded bolt M6 for potential equalization.
- With cover and steel turn lock supplied as a loose part.
- Retaining cord to secure the cover to the duct as well as grounding cable must be ordered separately.
- All gaskets are made from oil-resistant material.

### Technical data

- Grounding according to DIN EN 60439-1
- Sheet thickness: 1.5 mm; 16 ga
- Protection class IP54
- Material: Sheet steel
- Surface finish: electrolytically galvanised

### Scope of delivery

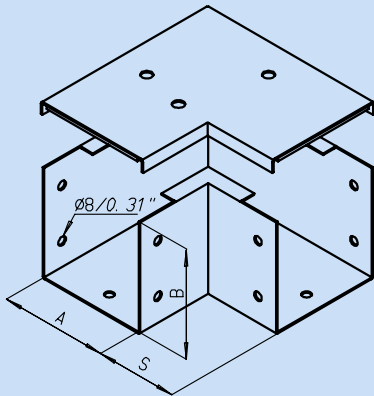
- 1 elbow with cover
- gasket 12x4 mm self-adhesive on one side with turn locks loosely enclosed

### Note

- Connection to other parts require a U-bracket.
- Dimensions AxB are inside dimensions of duct

Description	AxB		System dimension S		Number of closures	Ø 8	Order No.
	mm	inch	mm	inch			
90° Elbow external access	75 x 75	2,95 x 2,95	53	2,09	4	6x	<b>1206-0402-00-00</b>
	100 x 100	3,94 x 3,94	73	2,87	4	10x	<b>1206-0403-00-00</b>
	150 x 100	5,91 x 3,94	103	4,06	4	12x	<b>1206-0404-00-00</b>
	200 x 100	7,87 x 3,94	103	4,06	4	12x	<b>1206-0405-00-00</b>
	200 x 200	7,87 x 7,87	103	4,06	8	16x	<b>1206-0406-00-00</b>
	300 x 150	11,81 x 5,91	103	4,06	4	14x	<b>1206-0407-00-00</b>
	300 x 300	11,81 x 11,81	103	4,06	8	18x	<b>1206-0408-00-00</b>

## 90° corner bracket top access



### Features

- Protection class IP54
- continuous insertion
- very robust

### Product description

- Duct with threaded bolt M6 for potential equalization.
- With cover and steel turn lock supplied as a loose part.
- Retaining cord to secure the cover to the duct as well as grounding cable must be ordered separately.
- All gaskets are made from oil-resistant material.

### Technical data

- Grounding according to DIN EN 60439-1
- Sheet thickness: 1.5 mm; 16 ga
- Protection class IP54
- Material: Sheet steel
- Surface finish: electrolytically galvanised

Further technical information → see below

### Scope of delivery

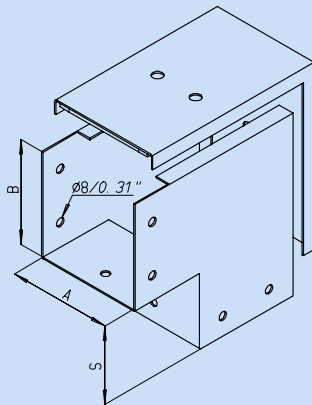
- 1 elbow with cover
- gasket 12 x 4 mm self-adhesive on one side with turn locks loosely enclosed

### Note

- Connection to other parts require a U-bracket.
- Dimensions AxB are inside dimensions of duct

Description	AxB		System dimension S		Number of closures	Ø 8	Order no.
	mm	inch	mm	inch			
90° corner bracket top access	75 x 75	2,95 x 2,95	53	2,09	3	6x	<b>1206-1002-00-00</b>
	100 x 100	3,94 x 3,94	73	2,87	3	10x	<b>1206-1003-00-00</b>
	150 x 100	5,91 x 3,94	103	4,06	3	12x	<b>1206-1004-00-00</b>
	200 x 100	7,87 x 3,94	103	4,06	4	12x	<b>1206-1005-00-00</b>
	200 x 200	7,87 x 7,87	103	4,06	4	16x	<b>1206-1006-00-00</b>
	300 x 150	11,81 x 5,91	103	4,06	4	14x	<b>1206-1007-00-00</b>
	300 x 300	11,81 x 11,81	103	4,06	4	18x	<b>1206-1008-00-00</b>

## 90° corner bracket external access



### Features

- Protection class IP54
- continuous insertion
- very robust

### Product description

- Duct with threaded bolt M6 for potential equalization.
- With cover and steel turn lock supplied as a loose part.
- Retaining cord to secure the cover to the duct as well as grounding cable must be ordered separately.
- All gaskets are made from oil-resistant material.

### Technical data

- Grounding according to DIN EN 60439-1
- Sheet thickness: 1.5 mm; 16 ga
- Protection class IP54
- Material: Sheet steel
- Surface finish: electrolytically galvanised

Further technical information → see below

### Scope of delivery

- 1 elbow with cover
- gasket 12x4 mm self-adhesive on one side with turn locks loosely enclosed

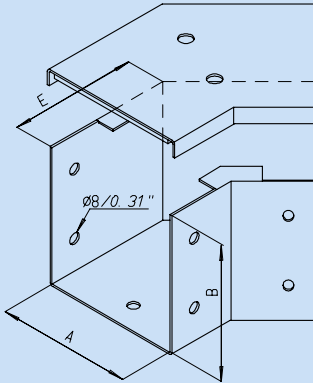
### Note

- Connection to other parts require a U-bracket.
- Dimensions AxB are inside dimensions of duct

Description	AxB		System dimension S		Number of closures	Ø 8	Order no.
	mm	inch	mm	inch			
90° corner bracket external access	75 x 75	2,95 x 2,95	53	2,09	4	6x	<b>1206-1102-00-00</b>
	100 x 100	3,94 x 3,94	73	2,87	4	10x	<b>1206-1103-00-00</b>
	150 x 100	5,91 x 3,94	103	4,06	4	12x	<b>1206-1104-00-00</b>
	200 x 100	7,87 x 3,94	103	4,06	4	12x	<b>1206-1105-00-00</b>
	200 x 200	7,87 x 7,87	103	4,06	8	16x	<b>1206-1106-00-00</b>
	300 x 150	11,81 x 5,91	103	4,06	4	14x	<b>1206-1107-00-00</b>
	300 x 300	11,81 x 11,81	103	4,06	8	18x	<b>1206-1108-00-00</b>

# Type 1206

## 45° elbow top access



### Features

- Protection class IP54
- continuous insertion
- very robust

### Product description

- Duct with threaded bolt M6 for potential equalization.
- With cover and steel turn lock supplied as a loose part.
- Retaining cord to secure the cover to the duct as well as grounding cable must be ordered separately.
- All gaskets are made from oil-resistant material.

### Technical data

- Grounding according to DIN EN 60439-1
- Sheet thickness: 1.5 mm; 16 ga
- Protection class IP54
- Material: Sheet steel
- Surface finish: electrolytically galvanised

### Scope of delivery

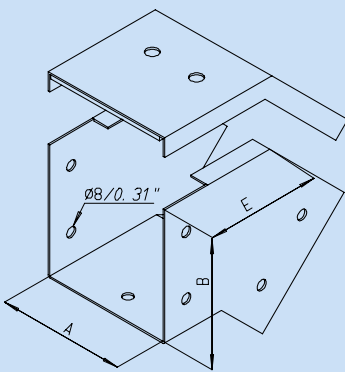
- 1 elbow with cover
- gasket 12x4 mm self-adhesive on one side with turn locks loosely enclosed

### Note

- Connection to other parts require a U-bracket.
- Dimensions AxB are inside dimensions of duct

Description	AxB		E		Number of closures	Ø 8	Order no.
	mm	inch	mm	inch			
45° elbow top access	75 x 75	2,95 x 2,95	82	3,23	2	6x	<b>1206-1402-00-00</b>
	100 x 100	3,94 x 3,94	93	3,66	2	10x	<b>1206-1403-00-00</b>
	150 x 100	5,91 x 3,94	114	4,49	2	12x	<b>1206-1404-00-00</b>
	200 x 100	7,87 x 3,94	135	5,31	3	12x	<b>1206-1405-00-00</b>
	200 x 200	7,87 x 7,87	135	5,31	3	16x	<b>1206-1406-00-00</b>
	300 x 150	11,81 x 5,91	176	6,93	3	14x	<b>1206-1407-00-00</b>
	300 x 300	11,81 x 11,81	176	6,93	3	18x	<b>1206-1408-00-00</b>

## 45° elbow external access



### Features

- Protection class IP54
- continuous insertion
- very robust

### Product description

- Duct with threaded bolt M6 for potential equalization.
- With cover and steel turn lock supplied as a loose part.
- Retaining cord to secure the cover to the duct as well as grounding cable must be ordered separately.
- All gaskets are made from oil-resistant material.

### Technical data

- Grounding according to DIN EN 60439-1
- Sheet thickness: 1.5 mm; 16 ga
- Protection class IP54
- Surface finish: electrolytically galvanised
- Number of closures: 4
- Material: Sheet steel

### Scope of delivery

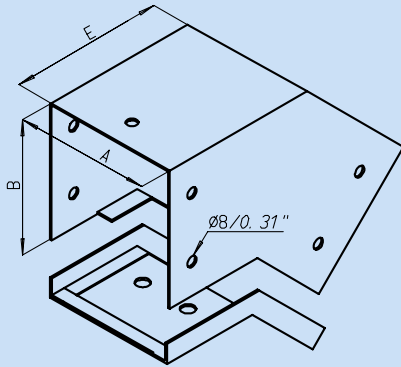
- 1 elbow with cover
- gasket 12x4 mm self-adhesive on one side with turn locks loosely enclosed

### Note

- Connection to other parts require a U-bracket.
- Dimensions AxB are inside dimensions of duct

Description	AxB		Ø 8	E		Order No.
	mm	inch		mm	inch	
45° elbow external access	75 x 75	2.95 x 2.95		82	3.23	<b>1206-1502-00-00</b>
	100 x 100	3.94 x 3.94	10x	93	3.66	<b>1206-1503-00-00</b>
	150 x 100	5.91 x 3.94	12x	93	3.66	<b>1206-1504-00-00</b>
	200 x 100	7.87 x 3.94	12x	93	3.66	<b>1206-1505-00-00</b>
	200 x 200	7.87 x 7.87	16x	135	5.31	<b>1206-1506-00-00</b>
	300 x 150	11.81 x 5.91	14x	114	4.49	<b>1206-1507-00-00</b>
	300 x 300	11.81 x 11.81	18x	176	6.93	<b>1206-1508-00-00</b>

## 45° elbow internal access



### Features

- Protection class IP54
- continuous insertion
- very robust

### Product description

- Duct with threaded bolt M6 for potential equalization.
- With cover and steel turn lock supplied as a loose part.
- Retaining cord to secure the cover to the duct as well as grounding cable must be ordered separately.
- All gaskets are made from oil-resistant material.

### Technical data

- Grounding according to DIN EN 60439-1
- Sheet thickness: 1.5 mm; 16 ga
- Protection class IP54
- Surface finish: electrolytically galvanised
- Numbers of closures: 4
- Material: Sheet steel

### Scope of delivery

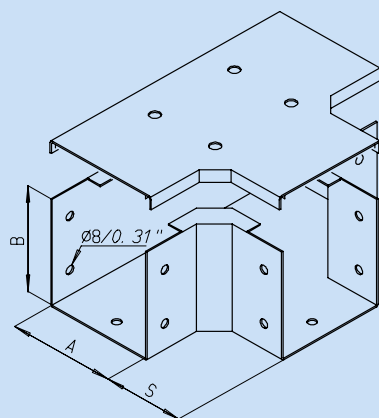
- 1 elbow with cover
- gasket 12x4 mm self-adhesive on one side with turn locks loosely enclosed

### Note

- Connection to other parts require a U-bracket.
- Dimensions AxB are inside dimensions of duct

Description	AxB		Ø 8	E		Order No.
	mm	inch		mm	inch	
<b>45° elbow internal access</b>	75 x 75	2.95 x 2.95		107	4.21	<b>1206-1602-00-00</b>
	100 x 100	3.94 x 3.94	10x	117	4.61	<b>1206-1603-00-00</b>
	150 x 100	5.91 x 3.94	12x	117	4.61	<b>1206-1604-00-00</b>
	200 x 100	7.87 x 3.94	12x	117	4.61	<b>1206-1605-00-00</b>
	200 x 200	7.87 x 7.87	16x	159	6.26	<b>1206-1606-00-00</b>
	300 x 150	11.81 x 5.91	14x	138	5.43	<b>1206-1607-00-00</b>
	300 x 300	11.81 x 11.81	18x	200	7.87	<b>1206-1608-00-00</b>

## T-section top access



### Features

- Protection class IP54
- continuous insertion
- very robust

### Product description

- Duct with threaded bolt M6 for potential equalization.
- With cover and steel turn lock supplied as a loose part.
- Retaining cord to secure the cover to the duct as well as grounding cable must be ordered separately.
- All gaskets are made from oil-resistant material.

### Technical data

- Grounding according to DIN EN 60439-1
- Sheet thickness: 1.5 mm; 16 ga
- Protection class IP54
- Surface finish: electrolytically galvanised
- Numbers of closures: 4
- Material: Sheet steel

### Scope of delivery

- 1 T-section with cover
- gasket 12 x 4 mm self-adhesive on one side with turn locks loosely enclosed

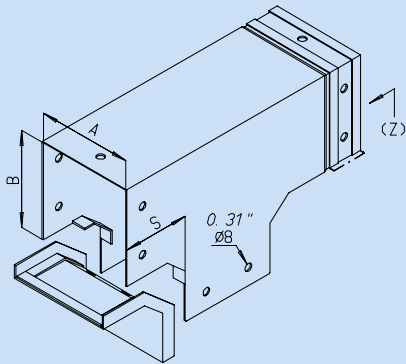
### Note

- Connection to other parts require a U-bracket.
- Dimensions AxB are inside dimensions of duct

Description	AxB		Ø 8	System dimension S		Order no.
	mm	inch		mm	inch	
<b>T-section top access</b>	75 x 75	2.95 x 2.95	9x	53	2.09	<b>1206-0602-00-00</b>
	100 x 100	3.94 x 3.94	15x	73	2.87	<b>1206-0603-00-00</b>
	150 x 100	5.91 x 100	18x	103	4.06	<b>1206-0604-00-00</b>
	200 x 100	7.87 x 3.94	18x	103	4.06	<b>1206-0605-00-00</b>
	200 x 200	7.87 x 7.87	24x	103	4.06	<b>1206-0606-00-00</b>
	300 x 150	11.81 x 5.91	21x	103	4.06	<b>1206-0607-00-00</b>
	300 x 300	11.81 x 11.81	27x	103	4.06	<b>1206-0608-00-00</b>

# Type 1206

## T-section internal access



### Features

- Protection class IP54
- continuous insertion
- very robust

### Product description

- Duct with threaded bolt M6 for potential equalization.
- With cover and steel turn lock supplied as a loose part.
- Retaining cord to secure the cover to the duct as well as grounding cable must be ordered separately.
- All gaskets are made from oil-resistant material.

This form part has a connective U-bracket integrated (see pos. Z).

### Technical data

- Grounding according to DIN EN 60439-1
- Sheet thickness: 1.5 mm; 16 ga
- Protection class IP54
- Surface finish: electrolytically galvanised
- Numbers of closures: 2
- Material: Sheet steel

### Scope of delivery

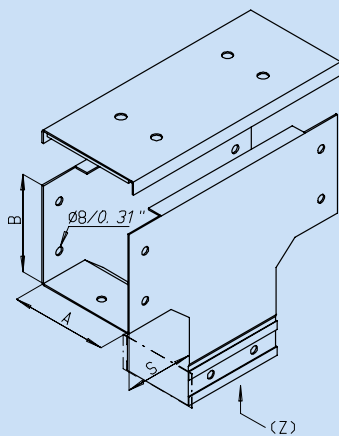
- 1 T-section with cover
- gasket 12 x 4 mm self-adhesive on one side with turn locks loosely enclosed

### Note

- Connection to other parts require a U-bracket.
- Dimensions AxB are inside dimensions of duct

Description	AxB		Ø 8	System dimension S		Order No.
	mm	inch		mm	inch	
T-section internal access	75 x 75	2.95 x 2.95	9x	53	2.09	<b>1206-0702-00-00</b>
	100 x 100	3.94 x 3.94	15x	73	2.87	<b>1206-0703-00-00</b>
	150 x 100	5.91 x 3.94	18x	103	4.06	<b>1206-0704-00-00</b>
	200 x 100	7.87 x 3.94	18x	103	4.06	<b>1206-0705-00-00</b>
	200 x 200	7.87 x 7.87	24x	103	4.06	<b>1206-0706-00-00</b>
	300 x 150	11.81 x 5.91	21x	103	4.06	<b>1206-0707-00-00</b>
	300 x 300	11.81 x 11.81	27x	103	4.06	<b>1206-0708-00-00</b>

## T-section external access



### Features

- Protection class IP54
- continuous insertion
- very robust

### Product description

- Duct with threaded bolt M6 for potential equalization.
- With cover and steel turn lock supplied as a loose part.
- Retaining cord to secure the cover to the duct as well as grounding cable must be ordered separately.
- All gaskets are made from oil-resistant material.

This form part has a connective U-bracket integrated (see pos. Z).

### Technical data

- Grounding according to DIN EN 60439-1
- Sheet thickness: 1.5 mm; 16 ga
- Protection class IP54
- Surface finish: electrolytically galvanised
- Numbers of closures: 4
- Material: Sheet steel

### Scope of delivery

- 1 T-section with cover
- gasket 12 x 4 mm self-adhesive on one side with turn locks loosely enclosed

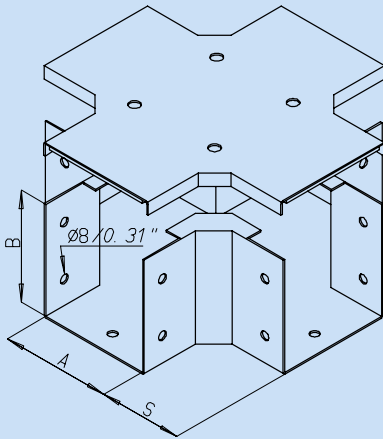
### Note

- Connection to other parts require a U-bracket.
- Dimensions AxB are inside dimensions of duct

Description	AxB		Ø 8	System dimension S		Order No.
	mm	inch		mm	inch	
T-section external access	75 x 75	2.95 x 2.95	9x	53	2.09	<b>1206-0802-00-00</b>
	100 x 100	3.94 x 3.94	15x	73	2.87	<b>1206-0803-00-00</b>
	150 x 100	5.91 x 3.94	18x	103	4.06	<b>1206-0804-00-00</b>
	200 x 100	7.87 x 3.94	18x	103	4.06	<b>1206-0805-00-00</b>
	200 x 200	7.87 x 7.87	24x	103	4.06	<b>1206-0806-00-00</b>
	300 x 150	11.81 x 5.91	21x	103	4.06	<b>1206-0807-00-00</b>
	300 x 300	11.81 x 11.81	27x	103	4.06	<b>1206-0808-00-00</b>



## Cross section top access



### Features

- Protection class IP54
- continuous insertion
- very robust

### Product description

- Duct with threaded bolt M6 for potential equalization.
- With cover and steel turn lock supplied as a loose part.
- Retaining cord to secure the cover to the duct as well as grounding cable must be ordered separately.
- All gaskets are made from oil-resistant material.

### Technical data

- Grounding according to DIN EN 60439-1
- Sheet thickness: 1.5 mm; 16 ga
- Protection class IP54
- Surface finish: electrolytically galvanised
- Numbers of closures: 4
- Material: Sheet steel

### Scope of delivery

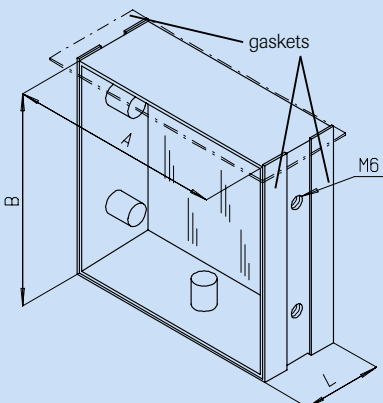
- 1 cross section with cover
- gasket 12 x 4 mm self-adhesive on one side with turn locks loosely enclosed

### Note

- Connection to other parts require a U-bracket.
- Dimensions AxB are inside dimensions of duct

Description	AxB		System dimension S		Ø 8	Order no.
	mm	inch	mm	inch		
<b>Cross section top access</b>	75 x 75	2,95 x 2,95	53	2,09	12x	<b>1206-1802-00-00</b>
	100 x 100	3,94 x 3,94	73	2,87	20x	<b>1206-1803-00-00</b>
	150 x 100	5,91 x 3,94	103	4,06	24x	<b>1206-1804-00-00</b>
	200 x 100	7,87 x 3,94	103	4,06	24x	<b>1206-1805-00-00</b>
	200 x 200	7,87 x 7,87	103	4,06	32x	<b>1206-1806-00-00</b>
	300 x 150	11,81 x 5,91	103	4,06	28x	<b>1206-1807-00-00</b>
	300 x 300	11,81 x 11,81	103	4,06	36x	<b>1206-1808-00-00</b>

## Internal end cap



### Features

- Protection class IP54

### Product description

- For closure of duct ends.

### Technical data

- Grounding according to DIN EN 60439-1
- Sheet thickness: 1.5 mm; 16 ga
- Surface finish: electrolytically galvanised

- Protection class IP54

- Material: Sheet steel

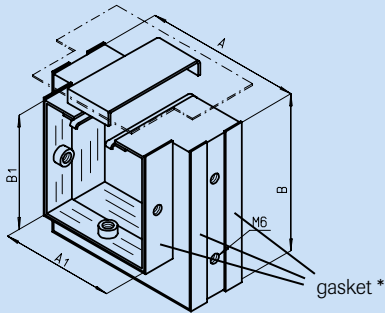
### Scope of delivery

- 1 end cap with press nuts M6
- with gaskets

Description	AxB		L		M 8	Order no.
	mm	inch	mm	inch		
<b>Internal end cap</b>	75 x 75	2,95 x 2,95	20	0,79	3x	<b>1206-2002-00-00</b>
	100 x 100	3,94 x 3,94	38	1,50	5x	<b>1206-2003-00-00</b>
	150 x 100	5,91 x 3,94	38	1,50	6x	<b>1206-2004-00-00</b>
	200 x 100	7,87 x 3,94	38	1,50	6x	<b>1206-2005-00-00</b>
	200 x 200	7,87 x 7,87	38	1,50	8x	<b>1206-2006-00-00</b>
	300 x 150	11,81 x 5,91	38	1,50	7x	<b>1206-2007-00-00</b>
	300 x 300	11,81 x 11,81	38	1,50	9x	<b>1206-2008-00-00</b>

# Type 1206

## U-reducer



### Features

- Protection class IP54
- continuous insertion
- very robust

### Product description

For connecting different size cable ducts. A U-connector is not required at this joint. U-bracket consisting of a frame with pressed nuts M6, loosely enclosed gaskets and a pluggable bridge section which lends the U-bracket its stability. All gaskets are made from oil-resistant material.

### Technical data

- Grounding according to DIN EN 60439-1
- Sheet thickness: 1.5 mm; 16 ga
- Surface finish: electrolytically galvanised
- Material: Sheet steel

Further technical information → see below

### Scope of delivery

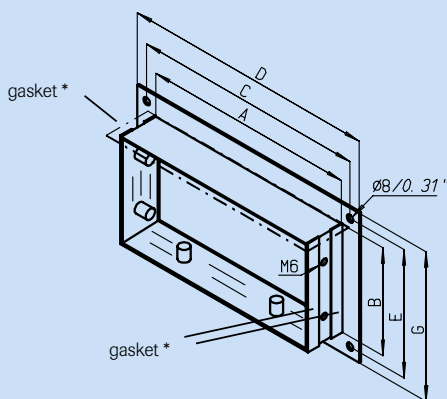
- 1 U-reducer with press nuts M6
- with gaskets

### Note

- other U-reducers on request

Description	AxB		M 6	A1xB1		Order no.
	mm	inch		mm	inch	
U-reducer	100 x 100	3.94 x 3.94	8x	75 x 75	2.95 x 2.95	<b>1206-2203-00-01</b>
	150 x 100	5.91 x 3.94	11x	100 x 100	3.94 x 3.94	<b>1206-2204-00-00</b>
	200 x 100	7.87 x 3.94	11x	100 x 100	3.94 x 3.94	<b>1206-2205-00-00</b>
	200 x 100	7.87 x 3.94	12x	150 x 100	5.91 x 3.94	<b>1206-2205-00-01</b>
	200 x 200	7.87 x 7.87	13x	100 x 100	3.94 x 3.94	<b>1206-2206-00-00</b>
	200 x 200	7.87 x 7.87	14x	200 x 100	7.87 x 3.94	<b>1206-2206-00-01</b>
	300 x 150	11.81 x 5.91	12x	100 x 100	3.94 x 3.94	<b>1206-2207-00-00</b>
	300 x 150	11.81 x 5.91	13x	150 x 100	5.91 x 3.94	<b>1206-2207-00-01</b>
	300 x 300	11.81 x 11.81	17x	200 x 200	7.87 x 7.87	<b>1206-2208-00-00</b>

## End flange



### Features

- Protection class IP54
- very robust

### Product description

- For mounting ducts to housings, cabinets, machinery etc.
- End flange consisting of a frame with pressed nuts M6 and loosely enclosed gaskets.
- The end flange can also be used as a base.

### Technical data

- Material: Sheet steel
- Grounding according to DIN EN 60439-1

- Surface finish: electrolytically galvanised
- Sheet thickness: 1.5 mm; 16 ga
- Protection class IP54

Further technical information → see below

### Scope of delivery

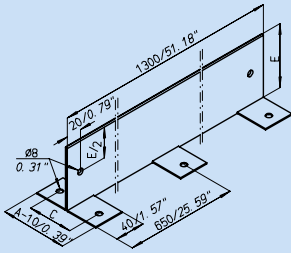
- 1 end flange with press nuts M6
- with gaskets

### Note

- <sup>1)</sup> Ø 8 mm each in the centre of dimension C.
- <sup>2)</sup> Ø 8 mm each in the centre of dimensions E/C.

Description	AxB		C		E		D		G		Ø 8	M 6	Order no.
	mm	inch	mm	inch	mm	inch	mm	inch	mm	inch			
End flange	75 x 75	2.95 x 2.95	95	3,74	95	3,74	115	4,53	115	4,53	4x	3x	<b>1206-2402-00-00</b>
	100 x 100	3,94 x 3,94	120	4,72	120	4,72	140	5,51	140	5,51	4x	5x	<b>1206-2403-00-00</b>
	150 x 100	5,91 x 3,94	170	6,69	120	4,72	190	7,48	140	5,51	4x	6x	<b>1206-2404-00-00</b>
	200 x 100	7,87 x 3,94	220	8,66	120	4,72	240	9,45	140	5,51	4x	6x	<b>1206-2405-00-00</b>
	200 x 200	7,87 x 7,87	220	8,66	220	8,66	240	9,45	240	9,45	4x	8x	<b>1206-2406-00-00</b>
	300 x 150	11,81 x 5,91	320	12,6	170	6,69	340	13,39	190	7,48	6x <sup>1)</sup>	7x	<b>1206-2407-00-00 <sup>1)</sup></b>
	300 x 300	11,81 x 11,81	320	12,6	320	12,6	340	13,39	340	13,39	8x <sup>2)</sup>	9x	<b>1206-2408-00-00 <sup>2)</sup></b>

## Partition panel



### Product description

- Ducts can be divided with partition panels. They are simply inserted into the cable duct. The  $\varnothing 8 \text{ mm} / 0.31 \text{''}$  hole can be used for fixing, if needed. Please specify on your order for which shaped part you require the partition panels.

### Technical data

- Sheet thickness: 1.5 mm; 16 ga

- Surface finish: electrolytically galvanised

- Material: Sheet steel

Further technical information → see below

### Scope of delivery

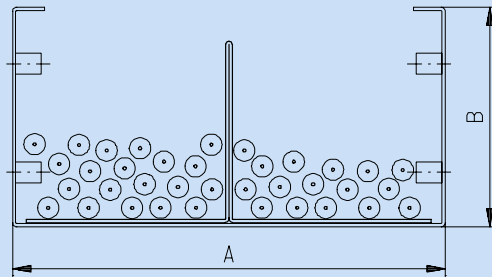
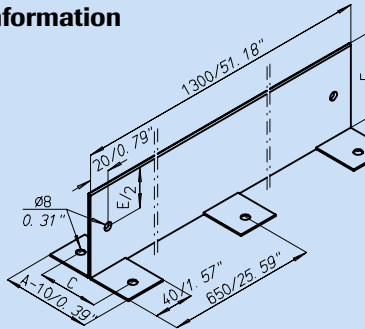
- 1 partition panel

### Note

Other partition panels on request.

Description	AxB		C		E		Order no.
	mm	inch	mm	inch	mm	inch	
Partition panel	75 x 75	2,95 x 2,95	40	1,57	60	2,36	<b>1206-2502-00-00</b>
	100 x 100	3,94 x 3,94	60	2,36	85	3,35	<b>1206-2503-00-00</b>
	150 x 100	5,91 x 3,94	100	3,94	85	3,35	<b>1206-2504-00-00</b>
	200 x 100	7,87 x 3,94	100	3,94	85	3,35	<b>1206-2505-00-00</b>
	200 x 200	7,87 x 7,87	100	3,94	160	6,3	<b>1206-2506-00-00</b>
	300 x 150	11,81 x 5,91	200	7,87	130	5,12	<b>1206-2507-00-00</b>
	300 x 300	11,81 x 11,81	200	7,87	260	10,24	<b>1206-2508-00-00</b>

### Technical information



## Expander

### Product description

- Expanders are used as additional cable duct stiffeners.

### Technical data

- Sheet thickness: 1.0 mm; 18 ga

- Surface finish: electrolytically galvanised

- Material: Sheet steel

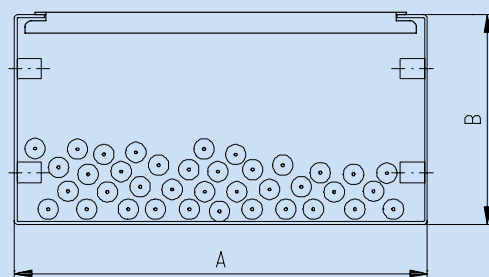
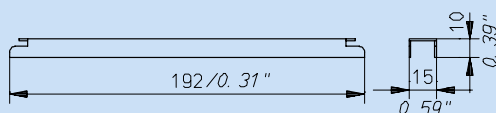
Further technical information → see below

### Scope of delivery

- 1 Expander

Description	AxB		Order no.
	mm	inch	
Expander	75 x 75	2,95 x 2,95	<b>1206-1702-00-00</b>
	100 x 100	3,94 x 3,94	<b>1206-1703-00-00</b>
	150 x 100	5,91 x 3,94	<b>1206-1704-00-00</b>
	200 x 100	7,87 x 3,94	<b>1206-1705-00-00</b>
	200 x 200	7,87 x 7,87	<b>1206-1705-00-00</b>
	300 x 150	11,81 x 5,91	<b>1206-1707-00-00</b>
	300 x 300	11,81 x 11,81	<b>1206-1707-00-00</b>

### Technical information



## Accessories

Do you also supply the matching accessories?

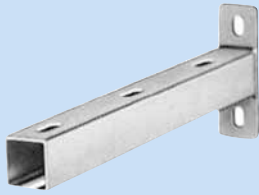
Yes, using our extensive range of accessories of shaped parts creates within a short time a cable duct system that is tailored to your requirements.





# Accessories

## Channel bracket



### Product description

- This attachment system offers many mounting possibilities with only a few parts, e.g.: the channel bracket can be used for wall-mounting, support and suspended element.

- Surface finish: electrolytically galvanised
- Sheet thickness profile rail: 2.0 mm; 14 ga
- Sheet thickness bracket: 6 mm; 4 ga

### Scope of delivery

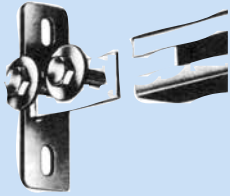
- 1 channel bracket

### Technical data

- Material: sheet steel

Description	L		Order no.
	mm	inch	
Channel bracket	160	5,91	1208-1100-01-50
	400	15,75	1208-1100-04-00

## Front flange



### Product description

- Can be used as base or top plate (suitable for channel bracket and profile rail).

### Scope of delivery

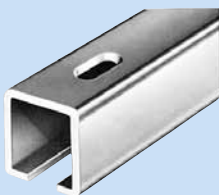
- 1 front flange with screws

### Technical data

- Material: sheet steel 120 x 40 x 4
- Surface finish: electrolytically galvanised

Description	Order no.
Front flange	1208-1200-35-09

## Profile rail



### Product description

- Can be used as support or suspended rail.

### Scope of delivery

- 1 Profile rail

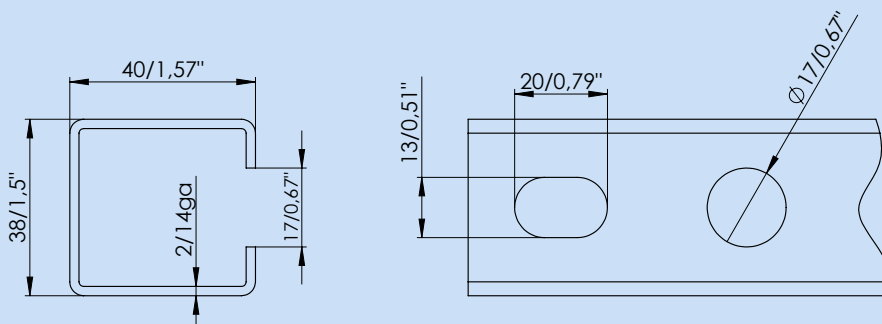
### Technical data

- Material: sheet steel
- Sheet thickness: 2 mm; 14 ga
- Surface finish: galvanised

Further technical information → see below

Description	L		Weight		Order no.
	mm	inch	kg	lbs	
Profile rail	2000	78,74	3,7	8,2	1208-1300-20-00

## Technical information



## Threaded bar M 8



### Product description

- For attachment of accessories
- can be cut to length

### Technical data

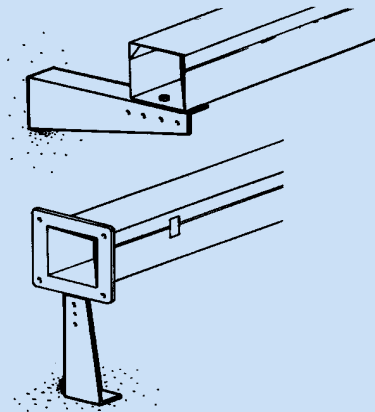
- Material: steel
- Surface finish: electrolytically galvanised

### Scope of delivery

- 1 Threaded bar

Description	L		Weight		Order no.
	mm	inch	kg	lbs	
Threaded bar M 8	2000	78,74	0,5	1,1	<b>1208-1409-20-00</b>

## Angle bracket



### Product description

- can be used for wall mounting or vertical support..

### Technical data

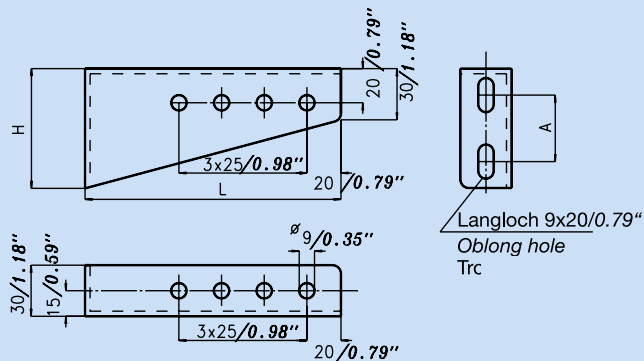
- Material: steel
  - Surface finish: Powder coating RAL 7035
- Further technical information → see below

### Scope of delivery

- 1 Angle bracket

Description	L		H		A		Weight		Order no.
	mm	inch	mm	inch	mm	inch	kg	lbs	
Angle bracket	150	5,91	70	2,76	40	1,57	0,3	0,7	<b>1208-2101-01-50</b>
	200	7,87	84	3,31	50	1,97	0,4	0,9	<b>1208-2101-02-00</b>
	250	9,84	97	3,82	50	1,97	0,6	1,3	<b>1208-2101-02-50</b>
	350	13,78	125	4,94	75	2,95	0,9	2,0	<b>1208-2101-03-50</b>








## Technical information



häwa GmbH  
 Industriestraße 12  
 D 88489 Wain  
 Tel. +49 7353 98460  
 Fax +49 7353 1050  
 info@haewa.de  
 www.haewa.de



<p><b>D 08451 Crimmitschau</b>          Sachsenweg 3          Tel. +49 3762 95271/2          Fax +49 3762 95278          vertrieb.c@haewa.de</p>	<p><b>D 47167 Duisburg</b>          Gewerbegebiet Neumühl          Theodor-Heuss-Str. 128          Tel. +49 203 346530          Fax +49 203 589785          vertrieb.d@haewa.de</p>	<p><b>D 63477 Maintal</b>          Dörnigheim          Carl-Zeiss-Straße 7          Tel. +49 6181 493031          Fax +49 6181 494003          vertrieb.rm@haewa.de</p>	<p><b>A 4020 Linz</b>          Schmachtl GmbH          Pummererstraße 36          Tel. +43 732 76460          Fax: +43 732 785036          office.linz@schmachtl.at</p>
<p><b>CH 8967 Widen</b>          häwa (Schweiz) ag          Gyrenstrasse 5a          Tel. +41 43 3662222          Fax +41 43 3662233          info@haewa.ch</p>	<p><b>DK 6400 Sonderborg</b>          Eegholm A/S          Grundtvigs Allé 165 - 169          Tel. +45 73 121212          Fax: +4573 121213          eegholm@eegholm.dk</p>	<p><b>E 48450 Etxebarri</b>          hawea ibérica, s.l.          Poligono Leguizamón          Calle Guipuzcoa, Pab.9          Tel. +34 944 269521          Fax: +34 944 261087          hawea@ctv.es</p>	<p><b>F 67600 Sélestat</b>          häwa France Sarl          22, Rue Roswag          Tel. +33 6 72713309          info@haewa.fr</p>
<p><b>I 88489 Wain</b>          häwa Italia          Industriestraße 12          Tel. +49 7353 9846115          Fax +49 7353 1050          info@haewa.it</p>	<p><b>NL 7500 AC Enschede</b>          häwa Nederland B.V.          Postbus 136          Tel. +31 53 4321835          Fax +31 53 4303414          info@haewa.nl</p>	<p><b>SE 88489 Wain</b>          häwa Schweden          Industriestraße 12          Tel. +49 7353 98460          Fax +49 7353 1050          info@haewa.se</p>	<p><b>SE 192 79 Sollentua</b>          (only for tools)          Nelco Contact AB          Bergkällawägen 29          Tel. + 46 8 7547040          Fax +46 8 7548051          info@nelco.se</p>
<p><b>USA Duluth, GA 30097</b>          haewa Corporation          3768 Peachtree Crest Drive          Tel. +1 770 9213272          Fax +1 770 9212896          info@haewa.com</p>	<p><b>RUS 88489 Wain</b>          häwa Russland          Industriestraße 12          Tel. +49 7353 9846 169          Fax +49 7353 1050          edgar.getz@haewa.de</p>		

-  CABINET SYSTEMS
-  X-FRAME
-  ENCLOSURES
-  ACCESSORIES
-  CLIMATE CONTROL
-  CABLE DUCTS
-  CUSTOMIZED SOLUTIONS
-  TOOLS